

**PROPRIETARY NOTE**

THIS SPECIFICATION IS THE PROPERTY OF BOE AND SHALL NOT BE REPRODUCED OR COPIED WITHOUT THE WRITTEN PERMISSION OF BOE AND MUST BE RETURNED TO BOE UPON ITS REQUEST

TITLE : NV173FHM-N4C

Product Specification

Rev. P1

BOE Optoelectronics Technology Co., Ltd

SPEC. NUMBER	PRODUCT GROUP	Rev.	ISSUE DATE	PAGE
B2014-Q011-O (1/3)	TFT-LCD	P1	2018.12.17	1 OF 35

A4(210 X 297)

BOE	PRODUCT GROUP	REV	ISSUE DATE
	Customer Spec	Rev. P1	2019.2.18

REVISION HISTORY

() Preliminary Specification

(√) Final Specification

Revision No.	Page	Description of Changes	Date	Prepared
P0	35	Preliminary Release	2018.07.13	Sun Hui
P1	35	Final Release	2018.2.18	Sun Hui

REVIEWED

Designer	Manager
Tang Fengjing (Array)	Li Hongmin
Wang Kun (Cell)	Wang Chun
Wang Kun(CF)	Wang Chun
Sun Hui (EE)	Cao Jie
He Shuai(MO)	Cao Jie
Liu Jie(QE)	Di Mingdong

APPROVED

Sun Hui(PM)

SPEC. NUMBER	SPEC. TITLE	PAGE
B2014-Q011-O (2/3)	NV173FHM-N4C Product Specification Rev. P1	2 OF 35

B2014-Q011-O (2/3)

A4(210 X 297)

BOE

PRODUCT GROUP

REV

ISSUE DATE

Customer Spec

Rev. P1

2019.2.18

Contents

No.	Items	Page
1.0	General Description	4
2.0	Absolute Maximum Ratings	6
3.0	Electrical Specifications	7
4.0	Optical Specifications	10
5.0	Interface Connection	15
6.0	Signal Timing Specification	20
7.0	Input Signals, Display Colors & Gray Scale of Colors	22
8.0	Power Sequence	23
9.0	Connector Description	24
10.0	Mechanical Characteristics	25
11.0	Reliability Test	26
12.0	Handling & Cautions	26
13.0	Label	27
14.0	Packing Information	29
15.0	Mechanical Outline Dimension	30
16.0	EDID Table	32

SPEC. NUMBER

SPEC. TITLE

PAGE

NV173FHM-N4C Product Specification Rev. P1

3 OF 35

B2014-Q011-O (3/3)

A4(210 X 297)

BOE	PRODUCT GROUP	REV	ISSUE DATE
	Customer Spec	Rev. P1	2019.2.18

1.0 GENERAL DESCRIPTION

1.1 Introduction

NV173FHM-N4C is a color active matrix TFT LCD module using amorphous silicon TFT's (Thin Film Transistors) as an active switching devices. This module has a 17.3 inch diagonally measured active area with Full-HD resolutions (1920 horizontal by 1080 vertical pixel array). Each pixel is divided into RED, GREEN, BLUE dots which are arranged in vertical stripe and this module can display 16.7M(8bit) colors and color gamut SRGB100%. The TFT-LCD panel used for this module is a low reflection and higher color type. Therefore, this module is suitable for Notebook PC. The LED driver for back-light driving is built in this model.

All input signals are eDP1.2 interface compatible.

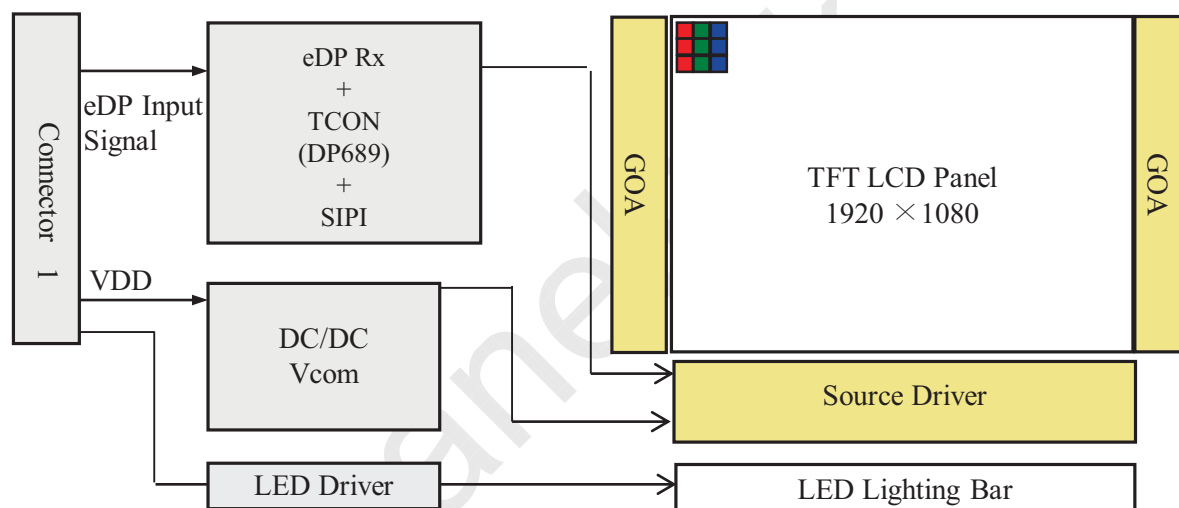


Figure 1. Drive Architecture

1.2 Features

- 2 lane eDP interface with 2.7 Gbps link rates
- Thin and light weight
- 16.7M(8bit) color depth, color gamut SRGB 100%
- Single LED lighting bar (Bottom side/Horizontal Direction)
- Data enable signal mode
- Side mounting frame
- Green product (RoHS & Halogen free product)
- On board LED driving circuit
- On board EDID chip

SPEC. NUMBER	SPEC. TITLE	PAGE
	NV173FHM-N4C Product Specification Rev. P1	4 OF 35

BOE	PRODUCT GROUP	REV	ISSUE DATE
	Customer Spec	Rev. P1	2019.2.18

1.3 Application

- Notebook PC (Wide type)

1.4 General Specification

The followings are general specifications at the model NV173FHM-N4C (listed in Table 1)

<Table 1. General Specifications>

Parameter	Specification	Unit	Remarks
Active area	381.89(H) × 214.81(V)	mm	
Number of pixels	1920 (H) × 1080 (V)	pixels	
Pixel pitch	198.9(H) × 198.9(V)	um	
Pixel arrangement	RGB Vertical stripe		
Display colors	16.7M(8bit)		
Color gamut	100%typ		sRGB
Display mode	Normally Black		
Dimensional outline	389.89(H) ±0.3 × 238.31(V) ±0.5 (W PCB)	mm	
Weight	500(max)	g	
Surface treatment	AG		
Surface hardness	3H		
Back-light	Bottom edge side, 1-LED lighting bar type		Note 1
Power consumption	P _D : 0.85 (Max)	W	@Mosaic
	P _{BL} : 5.44 (Max)	W	
	P _{Total} : 6.29 (Max)	W	@Mosaic

Notes : 1. LED Lighting Bar (60*LED Array)

SPEC. NUMBER	SPEC. TITLE	PAGE
B2014-Q011-O (3/3)	NV173FHM-N4C Product Specification Rev. P1	5 OF 35

B2014-Q011-O (3/3)

A4(210 X 297)

BOE

PRODUCT GROUP

REV

ISSUE DATE

Customer Spec

Rev. P1

2019.2.18

2.0 ABSOLUTE MAXIMUM RATINGS

The followings are maximum values which, if exceed, may cause faulty operation or damage to the unit. The operational and non-operational maximum voltage and current values are listed in Table 2.

< Table 2. Absolute Maximum Ratings >

Ta=25+/-2°C

Parameter	Symbol	Min.	Max.	Unit	Remarks
Power Supply Voltage	V _{DD}	-0.3	5.5	V	Note 1
Logic Supply Voltage	V _{IN}	V _{SS} -0.3	V _{DD} +0.3	V	
Operating Temperature	T _{OP}	0	+50	°C	Note 2
Storage Temperature	T _{ST}	-20	+60	°C	

Notes :

1. Permanent damage to the device may occur if maximum values are exceeded functional operation should be restricted to the condition described under normal operating conditions.
2. Temperature and relative humidity range are shown in the figure below.
95 % RH Max. (40 °C ≥ Ta) Maximum wet - bulb temperature at 39 °C or less. (Ta > 40 °C) No condensation.

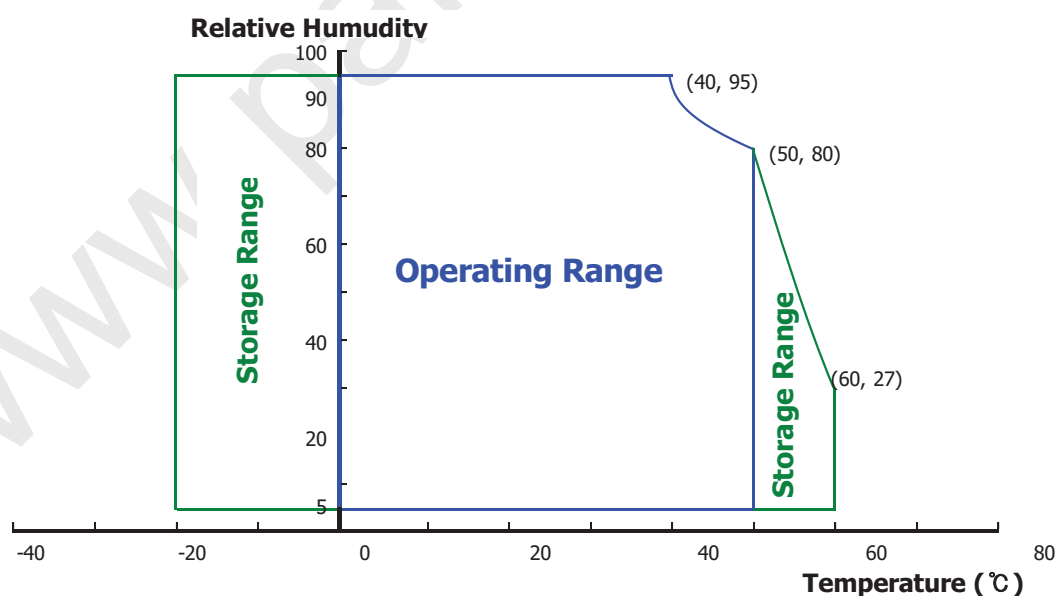


Figure 2. Temperature and Relative Humidity Range

SPEC. NUMBER

SPEC. TITLE

PAGE

NV173FHM-N4C Product Specification Rev. P1

6 OF 35

B2014-Q011-O (3/3)

A4(210 X 297)

BOE

PRODUCT GROUP

REV

ISSUE DATE

Customer Spec

Rev. P1

2019.2.18

3.0 ELECTRICAL SPECIFICATIONS

3.1 Electrical Specifications

< Table 3. Electrical Specifications >

Ta=25+/-2°C

Parameter		Min.	Typ.	Max.	Unit	Remarks
Power Supply Voltage	V _{DD}	3.0	3.3	3.6	V	Note 1
Permissible Input Ripple Voltage	V _{RF}	-	-	660	mV	@ V _{DD} = 3.3V
Power Supply Current	I _{DD}	-	258	606	mA	Note 1
Power Supply Inrush Current	Inrush	-	-	2	A	Note3
Power Consumption	P _D	-	0.85	2.0	W	Note 1
	P _{BL}	-	-	5.44	W	Note 2
	P _{total}	-	6.29	7.44	W	Note 1

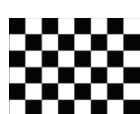
Notes :

1. The supply voltage is measured and specified at the interface connector of LCM.

The current draw and power consumption specified is for 3.3V at 25 °C.

a) Typ : Mosaic pattern 8*8

b) Max : H1 line 255 patterns



(a)



(b)

Figure 3. Power Measure Patterns

2. Calculated value for reference (V_{LED} × I_{LED})

3. Measure condition (Figure 4)

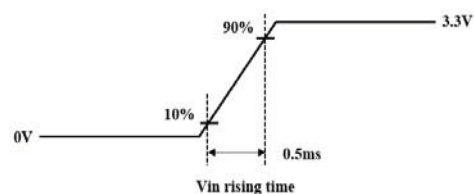


Figure 4. Inrush Measure Condition

SPEC. NUMBER

SPEC. TITLE

PAGE

NV173FHM-N4C Product Specification Rev. P1

7 OF 35

B2014-Q011-O (3/3)

A4(210 X 297)

BOE

PRODUCT GROUP

REV

ISSUE DATE

Customer Spec

Rev. P1

2019.2.18

3.2 Backlight Unit

< Table 4. LED Driving Guideline Specifications >

Ta=25+/-2°C

Parameter		Min.	Typ.	Max.	Unit	Remarks
LED Forward Voltage	V_F	-	-	3.0	V	
LED Forward Current	I_F	-	22.5	-	mA	
LED Power Consumption	P_{LED}	-	-	5.44	W	Note 1
LED Life-Time	N/A	15,000	-	-	Hour	$I_F = 22.5mA$
Power Supply Voltage for LED Driver	V_{LED}	6	12	20	V	
Power Supply Voltage for LED Driver Inrush	I_{led} inrush	-	-	2	A	Note 4
EN Control Level	Backlight On	2.5	-	5.0	V	
	Backlight Off	0	-	0.6	V	
PWM Control Level	High Level	2.5	-	5.0	V	
	Low Level	0	-	0.6	V	
PWM Control Frequency	F_{PWM}	200	-	10,000	Hz	
Duty Ratio		5	-	100	%	Note 3

Notes :

1. Power supply voltage 12V for LED driver.

Calculator value for reference $I_F \times V_F \times 60 / \text{driver efficiency} = P_{LED}$

2. The LED life-time define as the estimated time to 50% degradation of initial luminous.

3. 5% duty cycle is achievable with a dimming frequency less than 1KHz.

4. Measure condition (Figure 5)

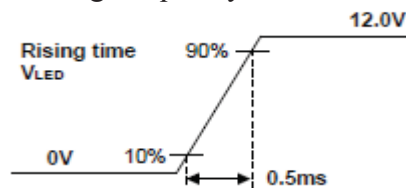


Figure 5. Inrush Measure Condition

SPEC. NUMBER

SPEC. TITLE

PAGE

NV173FHM-N4C Product Specification Rev. P1

8 OF 35

B2014-Q011-O (3/3)

A4(210 X 297)



	PRODUCT GROUP	REV	ISSUE DATE
	Customer Spec	Rev. P1	2019.2.18

3.3 LED Structure

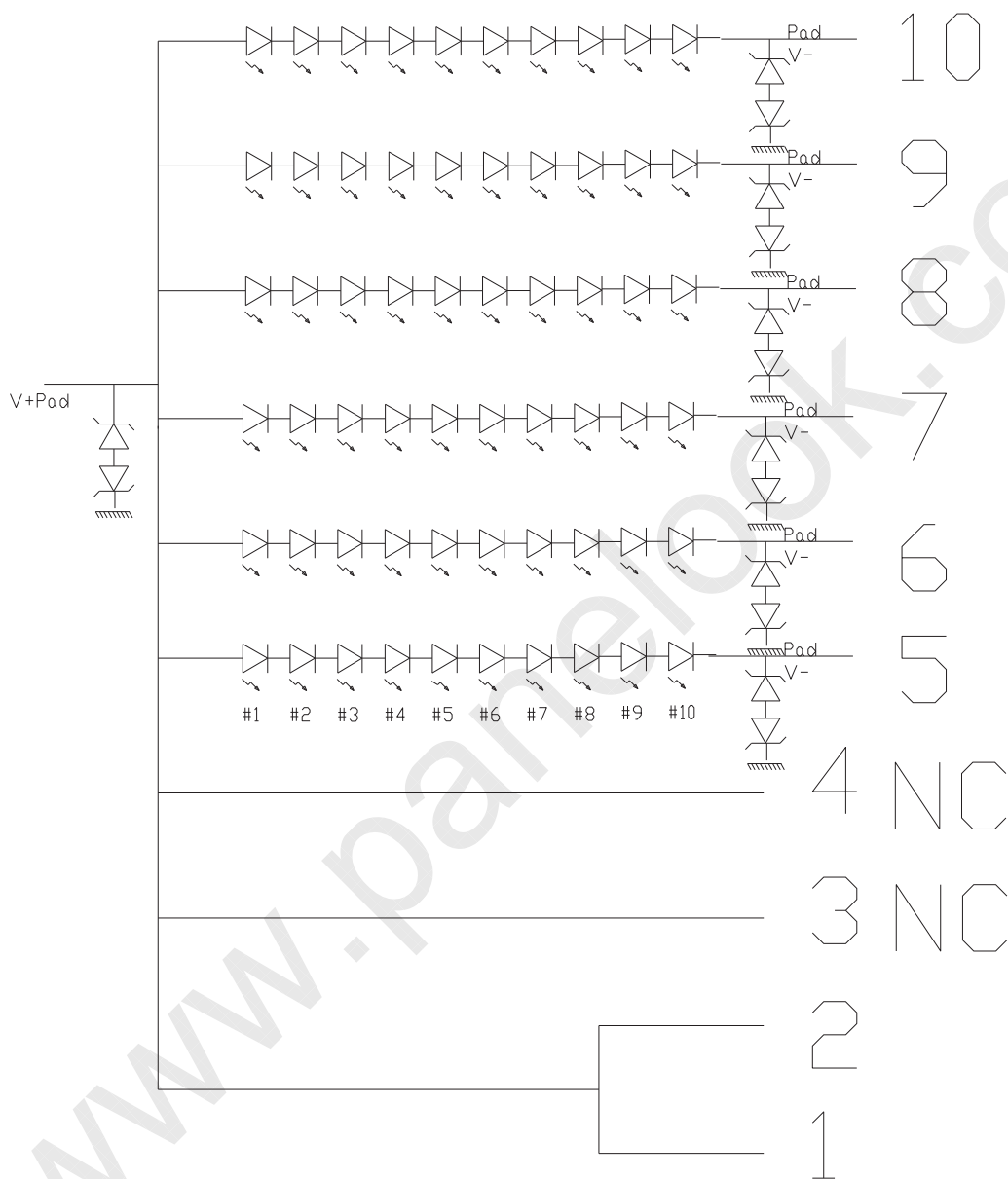


Figure 6. LED Structure

SPEC. NUMBER	SPEC. TITLE	PAGE
B2014-Q011-O (3/3)	NV173FHM-N4C Product Specification Rev. P1	9 OF 35

BOE

PRODUCT GROUP

REV

ISSUE DATE

Customer Spec

Rev. P1

2019.2.18

4.0 OPTICAL SPECIFICATION

4.1 Overview

The test of optical specifications shall be measured in a dark room (ambient luminance ≤ 1 lux and temperature = $25\pm 2^\circ\text{C}$) with the equipment of luminance meter system (Goniometer system and TOPCON BM-5) and test unit shall be located at an approximate distance 50cm from the LCD surface at a viewing angle of θ and Φ equal to 0° . We refer to $\theta\Phi=0$ ($=\theta_3$) as the 3 o'clock direction (the "right"), $\theta\Phi=90$ ($=\theta_{12}$) as the 12 o'clock direction ("upward"), $\theta\Phi=180$ ($=\theta_9$) as the 9 o'clock direction ("left") and $\theta\Phi=270$ ($=\theta_6$) as the 6 o'clock direction ("bottom"). While scanning θ and/or Φ , the center of the measuring spot on the display surface shall stay fixed. The backlight should be operating for 30 minutes prior to measurement. VDD shall be $3.3\pm 0.3\text{V}$ at 25°C . Optimum viewing angle direction is 6 o'clock.

4.2 Optical Specifications

<Table 5. Optical Specifications>

Parameter		Symbol	Condition	Min.	Typ.	Max.	Unit	Remark
Viewing Angle Range	Horizontal	θ_3	CR > 10	80	85	-	Deg.	Note 1
		θ_9		80	85	-	Deg.	
	Vertical	θ_{12}		80	85	-	Deg.	
		θ_6		80	85	-	Deg.	
Luminance Contrast Ratio		CR	$\theta = 0^\circ$	900	1200	-		Note 2
Luminance of White	5 Points	Y_w	$\theta = 0^\circ$ ILED = 22.5mA	255	300	-	cd/m ²	Note 3
White Luminance Uniformity	5 Points	ΔY_5		80	-	-		Note 4
	13 Points	ΔY_{13}		65	-	-		
White Chromaticity		W_x	$\theta = 0^\circ$	0.283	0.313	0.343		Note 5
		W_y		0.299	0.329	0.359		
Reproduction of Color	Red	R_x	$\theta = 0^\circ$	-0.030	0.640	+0.030		
		R_y			0.330			
	Green	G_x			0.300			
		G_y			0.600			
	Blue	B_x			0.150			
		B_y			0.060			
Color Gamut				95	100	-	%	sRGB
Response Time		T_{RT}	Ta= 25°C $\theta = 0^\circ$	-	17	25	ms	Note 6
Cross Talk		CT	$\theta = 0^\circ$	-	-	2.0	%	Note 7

SPEC. NUMBER

SPEC. TITLE

NV173FHM-N4C Product Specification Rev. P1

PAGE

10 OF 35

B2014-Q011-O (3/3)

A4(210 X 297)

BOE	PRODUCT GROUP	REV	ISSUE DATE
	Customer Spec	Rev. P1	2019.2.18

Notes :

- Viewing angle is the angle at which the contrast ratio is greater than 10. The viewing angles are determined for the horizontal or 3, 9 o'clock direction and the vertical or 6, 12 o'clock direction with respect to the optical axis which is normal to the LCD surface (see Figure 7).
- Contrast measurements shall be made at viewing angle of $\Theta=0$ and at the center of the LCD surface. Luminance shall be measured with all pixels in the view field set first to white, then to the dark (black) state . (see Figure 7) Luminance Contrast Ratio (CR) is defined mathematically.

$$CR = \frac{\text{Luminance when displaying a white raster}}{\text{Luminance when displaying a black raster}}$$

- Center Luminance of white is defined as luminance values of 5 point average across the LCD surface. Luminance shall be measured with all pixels in the view field set first to white. This measurement shall be taken at the locations shown in Figure 8 for a total of the measurements per display.
- The White luminance uniformity on LCD surface is then expressed as : $\Delta Y = \text{Minimum Luminance of 5(or 13) points} / \text{Maximum Luminance of 5(or 13) points.}$ (see Figure 8 and Figure 9).
- The color chromaticity coordinates specified in Table 5 shall be calculated from the spectral data measured with all pixels first in red, green, blue and white. Measurements shall be made at the center of the panel.
- The electro-optical response time measurements shall be made as Figure 10 by switching the "data" input signal ON and OFF. The times needed for the luminance to change from 90% to 10% is T_f , and 10% to 90% is T_r .
- Cross-Talk of one area of the LCD surface by another shall be measured by comparing the luminance (YA) of a 25mm diameter area, with all display pixels set to a gray level, to the luminance (YB) of that same area when any adjacent area is driven dark. (See Figure 11).

SPEC. NUMBER	SPEC. TITLE	PAGE
B2014-Q011-O (3/3)	NV173FHM-N4C Product Specification Rev. P1	11 OF 35

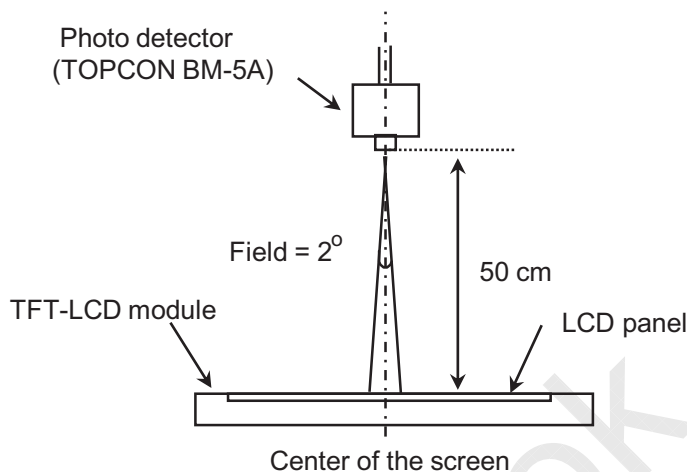
B2014-Q011-O (3/3)

A4(210 X 297)



BOE	PRODUCT GROUP	REV	ISSUE DATE
	Customer Spec	Rev. P1	2019.2.18

4.3 Optical Measurements



Optical characteristics measurement setup

Figure 7. Measurement Set Up

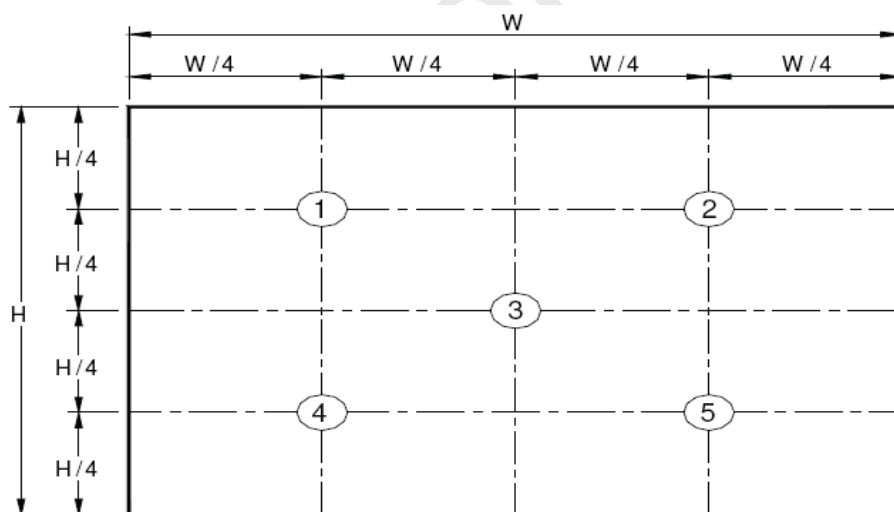


Figure 8. White Luminance and Uniformity Measurement Locations (5 points)

Center Luminance of white is defined as luminance values of center 5 points across the LCD surface. Luminance shall be measured with all pixels in the view field set first to white. This measurement shall be taken at the locations shown in Figure 7 for a total of the measurements per display.

SPEC. NUMBER	SPEC. TITLE	PAGE
	NV173FHM-N4C Product Specification Rev. P1	12 OF 35

BOE	PRODUCT GROUP	REV	ISSUE DATE
	Customer Spec	Rev. P1	2019.2.18

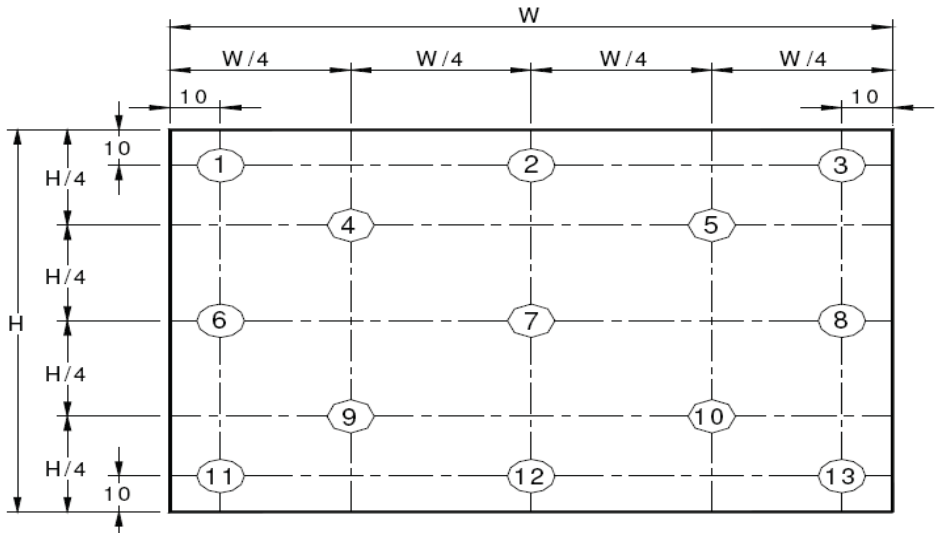


Figure 9. Uniformity Measurement Locations (13 points)

The White luminance uniformity on LCD surface is then expressed as : $\Delta Y5$ = Minimum Luminance of five points / Maximum Luminance of five points (see Figure 8) , $\Delta Y13$ = Minimum Luminance of 13 points /Maximum Luminance of 13 points (see Figure 9).

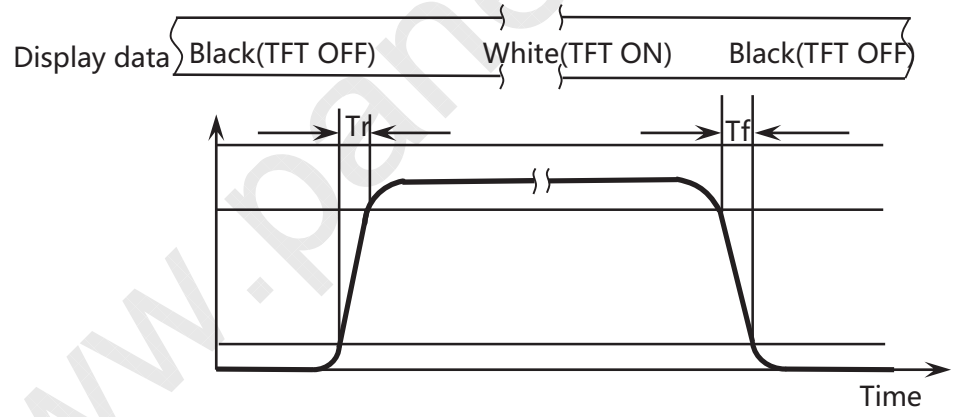


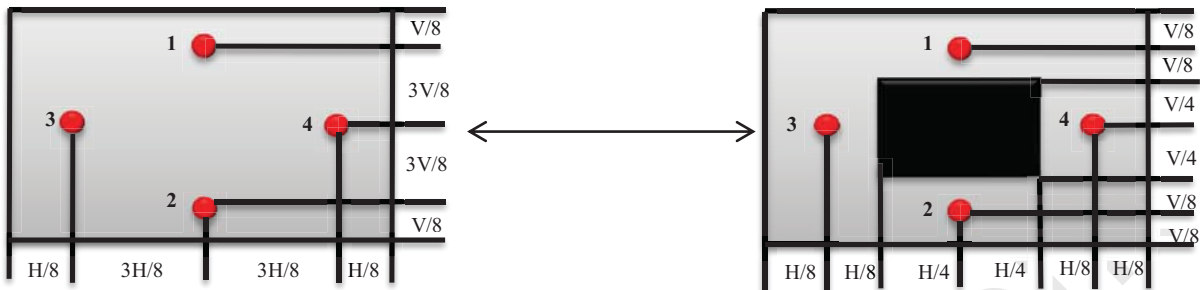
Figure 10. Response Time Testing

The electro-optical response time measurements shall be made as shown in Figure 10 by switching the “data” input signal ON and OFF. T_r : The luminance to change from 10% to 90% , T_f : The luminance to change from 90% to 10% .

The test system : Goniometer system and TOPCON BM-5

SPEC. NUMBER	SPEC. TITLE	PAGE
	NV173FHM-N4C Product Specification Rev. P1	13 OF 35

<h1>BOE</h1>	PRODUCT GROUP	REV	ISSUE DATE
	Customer Spec	Rev. P1	2019.2.18



$$\text{Cross Talk (\%)} = \left| \frac{Y_B - Y_A}{Y_A} \right| \times 100$$

Figure 11. Cross Talk Modulation Test Description

Where:

Y_A = Initial luminance of measured area (cd/m²)

Y_B = Subsequent luminance of measured area (cd/m²)

The location 1/2/3/4 measured will be exactly the same in both patterns. The test background gray is from L64 to L192. Take the largest data as the result.

Cross Talk of one area of the LCD surface by another shall be measured by comparing the luminance (Y_A) of a 25mm diameter area, with all display pixels set to a gray level, to the luminance (Y_B) of that same area when any adjacent area is driven dark. (Refer to Figure 11)

The test system: Goniometer system and TOPCON BM-5

SPEC. NUMBER	SPEC. TITLE	PAGE
	NV173FHM-N4C Product Specification Rev. P1	14 OF 35

BOE

PRODUCT GROUP

REV

ISSUE DATE

Customer Spec

Rev. P1

2019.2.18

5.0 INTERFACE CONNECTION**5.1 Electrical Interface Connection**

The electronics interface connector is MSAK24025P30.

The connector interface pin assignments are listed in Table 6.

<Table 6. Pin Assignments for the Interface Connector>

Terminal	Symbol	Functions
Pin No.	Symbol	Description
1	NC	No Connect
2	H_GND	Ground
3	LANE1_N	eDP RX Channel 1 Negative
4	LANE1_P	eDP RX Channel 1 Positive
5	H_GND	Ground
6	LANE0_N	eDP RX Channel 0 Negative
7	LANE0_P	eDP RX Channel 0 Positive
8	H_GND	Ground
9	AUX_CH_P	eDP AUX CH Positive
10	AUX_CH_N	eDP AUX CH Negative
11	H_GND	Ground
12	VCC	LCD logic and driver power
13	VCC	LCD logic and driver power
14	LCD Self Test	LCD Panel Self Test Enable (Optional)
15	GND	LCD logic and driver ground
16	GND	LCD logic and driver ground
17	HPD	HPD signal pin
18	BL_GND	LED Backlight ground
19	BL_GND	LED Backlight ground
20	BL_GND	LED Backlight ground

SPEC. NUMBER

SPEC. TITLE

PAGE

NV173FHM-N4C Product Specification Rev. P1

15 OF 35

B2014-Q011-O (3/3)

A4(210 X 297)

BOE

PRODUCT GROUP

REV

ISSUE DATE

Customer Spec

Rev. P1

2019.2.18

5.0 INTERFACE CONNECTION**5.1 Electrical Interface Connection**

The electronics interface connector is MSAK24025P30.

The connector interface pin assignments are listed in Table 6.

<Table 6. Pin Assignments for the Interface Connector>

Terminal	Symbol	Functions
Pin No.	Symbol	Description
21	BL_GND	LED Backlight ground
22	BL ENABLE	LED Backlight control on/off control
23	BL PWM	System PWM signal input for dimming
24	NC Reserved	Reserved for LCD manufacture's use
25	NC Reserved	Reserved for LCD manufacture's use
26	VLED	LED Backlight power (12V Typical)
27	VLED	LED Backlight power (12V Typical)
28	VLED	LED Backlight power (12V Typical)
29	VLED	LED Backlight power (12V Typical)
30	NC Reserved	No Connect

SPEC. NUMBER

SPEC. TITLE

PAGE

NV173FHM-N4C Product Specification Rev. P1

16 OF 35

B2014-Q011-O (3/3)

A4(210 X 297)

BOE

PRODUCT GROUP

REV

ISSUE DATE

Customer Spec

Rev. P1

2019.2.18

5.2 eDP Interface

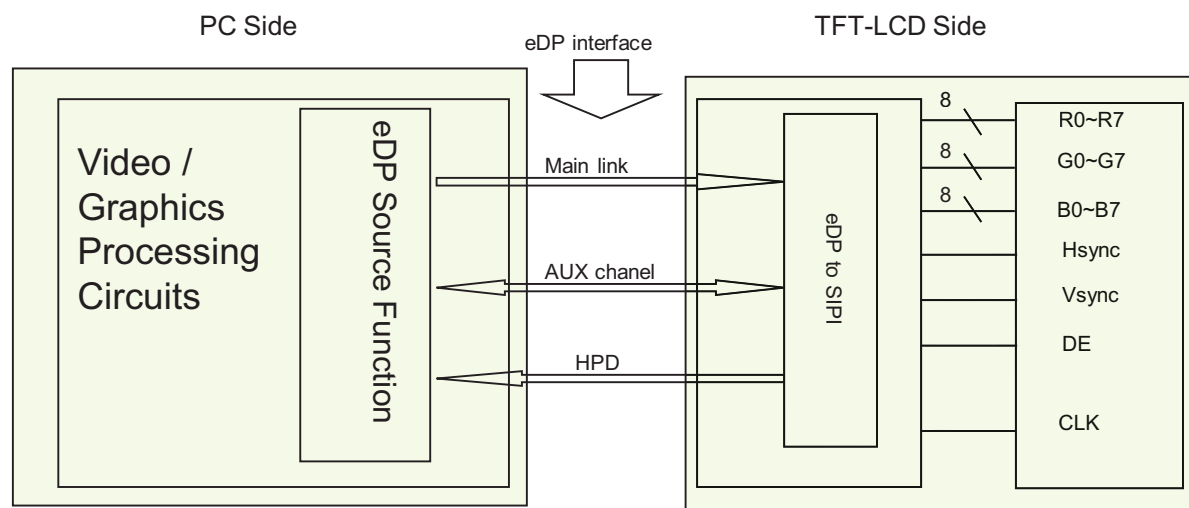


Figure 12. eDP Interface Architecture

Note:

Transmitter DP689 or equivalent.

Transmitter is not contained in module.

5.3.eDP Input signal

Lane 0	Lane 1
R0-7:0	R1-7:0
G0-7:0	G1-7:0
B0-7:0	B1-7:0
R4-7:0	R5-7:0
G4-7:0	G5-7:0
B4-7:0	B5-7:0
R8-7:0	R9-7:0
G8-7:0	G9-7:0
B8-7:0	B9-7:0

SPEC. NUMBER

SPEC. TITLE

PAGE

NV173FHM-N4C Product Specification Rev. P1

17 OF 35

B2014-Q011-O (3/3)

A4(210 X 297)

	PRODUCT GROUP	REV	ISSUE DATE
	Customer Spec	Rev. P1	2019.2.18

5.3 Data Input Format

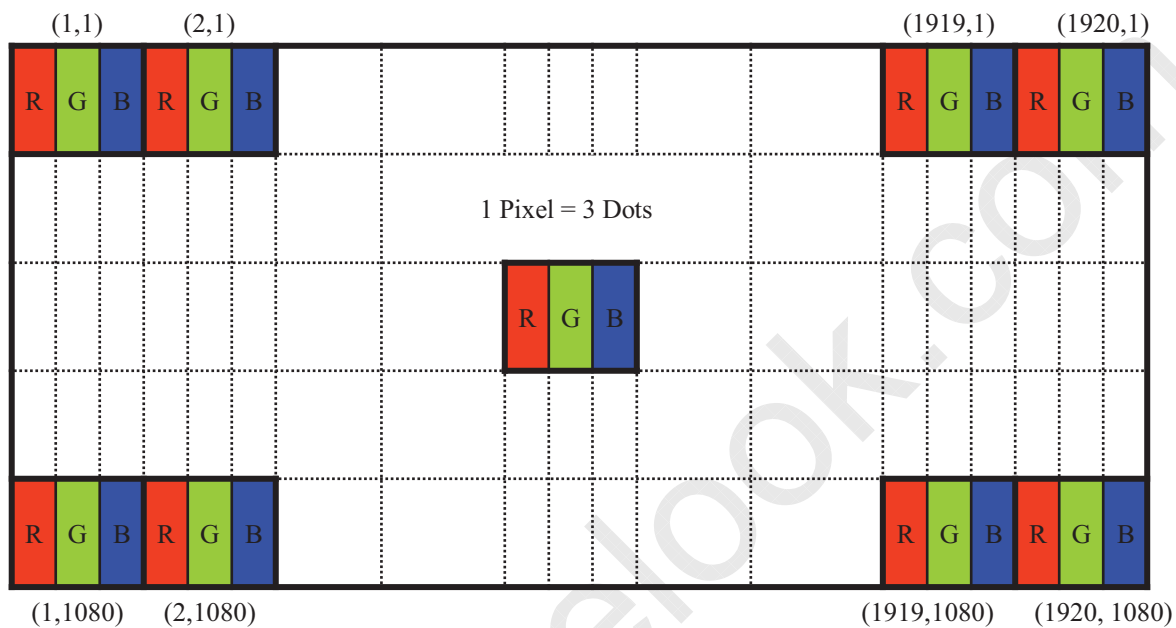


Figure 13. Display Position of Input Data (V-H)

SPEC. NUMBER	SPEC. TITLE	PAGE
B2014-Q011-O (3/3)	NV173FHM-N4C Product Specification Rev. P1	18 OF 35

B2014-Q011-O (3/3)

A4(210 X 297)

BOE

PRODUCT GROUP

REV

ISSUE DATE

Customer Spec

Rev. P1

2019.2.18

5.4 Back-light & LCM Interface Connection

BLU Interface Connector: STM MSK24022P10.

<Table 7. Pin Assignments for the BLU Connector>

Pin No.	Symbol	Description	Pin No.	Symbol	Description
1	LED	LED cathode connection	6	LED	LED cathode connection
2	LED	LED cathode connection	7	NC	No Connection
3	LED	LED cathode connection	8	Vout	LED anode connection
4	LED	LED cathode connection	9	Vout	LED anode connection
5	LED	LED cathode connection	10	Vout	LED anode connection

SPEC. NUMBER

SPEC. TITLE

PAGE

NV173FHM-N4C Product Specification Rev. P1

19 OF 35

B2014-Q011-O (3/3)

A4(210 X 297)

BOE

PRODUCT GROUP

REV

ISSUE DATE

Customer Spec

Rev. P1

2019.2.18

6.0 SIGNAL TIMING SPECIFICATION**6.1 The NV173FHM-N4C Is Operated By The DE Only**

< Table 8. Signal Timing Specification >

Item		Symbols	Min	Typ	Max	Unit
Clock	Frequency	1/Tc	-	140.2	-	MHz
Frame Period		Tv	-	1110	-	lines
			-	60	-	Hz
			-	16.7	-	ms
Vertical Display Period		Tvd	-	1080	-	lines
One line Scanning Period		Th	-	2124	-	clocks
Horizontal Display Period		Thd	-	1920	-	clocks

Note : The above is as optimized setting.

SPEC. NUMBER

SPEC. TITLE

PAGE

NV173FHM-N4C Product Specification Rev. P1

20 OF 35

B2014-Q011-O (3/3)

A4(210 X 297)

BOE

PRODUCT GROUP

REV

ISSUE DATE

Customer Spec

Rev. P1

2019.2.18

6.2 eDP Rx Interface Timing Parameter

The specification of the eDP Rx interface timing parameter is shown in Table 9.

<Table 9. eDP Main-Link RX TP4 Package Pin Parameters>

Item	Symbol	Min	Typ	Max	Unit	Remark
Spread spectrum clock (Link clock down-spreading)	ssc	-	0.5	-	%	
Differential peak-to-peak input voltage at package pins	VRX-DIFFp-p	100	-	1320	mV	
Rx input DC common mode voltage	VRX_DC_CM	-	GND	-	V	
Differential termination resistance	RRX-DIFF	80	100	120	Ω	
Single-ended termination resistance	RRX-SE	40	-	60	Ω	
Rx short circuit current limit	IRX_SHORT	-	-	20	mA	
Intra-pair skew at Rx package pins (HBR) RX intra-pair skew tolerance at HBR	LRX_SKEW_ INTRA_PAIR	-	-	150	ps	

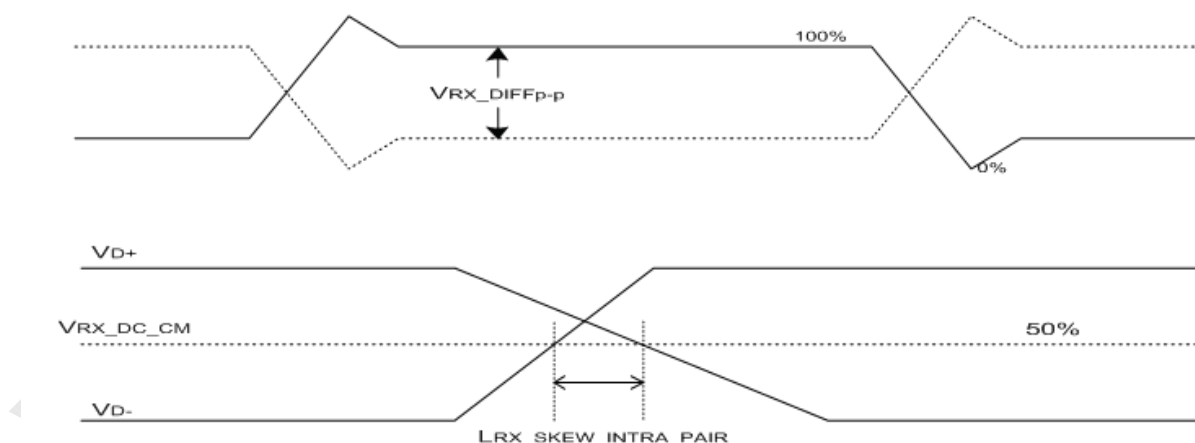


Figure 14. VRX-DIFFp-p & LRX_SKEW_INTRA_PAIR

SPEC. NUMBER

SPEC. TITLE

PAGE

NV173FHM-N4C Product Specification Rev. P1

21 OF 35

B2014-Q011-O (3/3)

A4(210 X 297)

BOE

PRODUCT GROUP

REV

ISSUE DATE

Customer Spec

Rev. P1

2019.2.18

7.0 INPUT SIGNALS, BASIC DISPLAY COLORS & GRAY SCALE OF COLORS

<Table 10. Input Signal & Basic Display Colors & Gray Scale of Colors >

	Colors & Gray scale	Data signal																							
		R0	R1	R2	R3	R4	R5	R6	R7	G0	G1	G2	G3	G4	G5	G6	G7	B0	B1	B2	B3	B4	B5	B6	B7
Basic colors	Black	0	0	0	0	0	0	0	0	0	0	0	0	0	0	0	0	0	0	0	0	0	0	0	0
	Blue	0	0	0	0	0	0	0	0	0	0	0	0	0	0	0	0	1	1	1	1	1	1	1	1
	Green	0	0	0	0	0	0	0	0	1	1	1	1	1	1	1	1	0	0	0	0	0	0	0	0
	Light Blue	0	0	0	0	0	0	0	0	1	1	1	1	1	1	1	1	1	1	1	1	1	1	1	1
	Red	1	1	1	1	1	1	1	1	0	0	0	0	0	0	0	0	0	0	0	0	0	0	0	0
	Purple	1	1	1	1	1	1	1	1	0	0	0	0	0	0	0	0	1	1	1	1	1	1	1	1
	Yellow	1	1	1	1	1	1	1	1	1	1	1	1	1	1	1	1	0	0	0	0	0	0	0	0
White	1	1	1	1	1	1	1	1	1	1	1	1	1	1	1	1	1	1	1	1	1	1	1	1	
Gray scale of Red	Black	0	0	0	0	0	0	0	0	0	0	0	0	0	0	0	0	0	0	0	0	0	0	0	
	△	1	0	0	0	0	0	0	0	0	0	0	0	0	0	0	0	0	0	0	0	0	0	0	
	Darker	0	1	0	0	0	0	0	0	0	0	0	0	0	0	0	0	0	0	0	0	0	0	0	
	△																								
	▽																								
	Brighter	1	0	1	1	1	1	1	1	0	0	0	0	0	0	0	0	0	0	0	0	0	0	0	0
▽	0	1	1	1	1	1	1	1	0	0	0	0	0	0	0	0	0	0	0	0	0	0	0	0	
Red	1	1	1	1	1	1	1	1	0	0	0	0	0	0	0	0	0	0	0	0	0	0	0	0	
Gray scale of Green	Black	0	0	0	0	0	0	0	0	0	0	0	0	0	0	0	0	0	0	0	0	0	0	0	
	△	0	0	0	0	0	0	0	1	0	0	0	0	0	0	0	0	0	0	0	0	0	0	0	
	Darker	0	0	0	0	0	0	0	0	1	0	0	0	0	0	0	0	0	0	0	0	0	0	0	
	△																								
	▽																								
	Brighter	0	0	0	0	0	0	0	0	1	0	1	1	1	1	1	1	0	0	0	0	0	0	0	0
▽	0	0	0	0	0	0	0	0	0	1	1	1	1	1	1	1	0	0	0	0	0	0	0	0	
Green	0	0	0	0	0	0	0	0	1	1	1	1	1	1	1	1	0	0	0	0	0	0	0	0	
Gray scale of Blue	Black	0	0	0	0	0	0	0	0	0	0	0	0	0	0	0	0	0	0	0	0	0	0	0	
	△	0	0	0	0	0	0	0	0	0	0	0	0	0	0	0	0	1	0	0	0	0	0	0	
	Darker	0	0	0	0	0	0	0	0	0	0	0	0	0	0	0	0	0	1	0	0	0	0	0	
	△																								
	▽																								
	Brighter	0	0	0	0	0	0	0	0	0	0	0	0	0	0	0	0	1	0	1	1	1	1	1	1
▽	0	0	0	0	0	0	0	0	0	0	0	0	0	0	0	0	0	1	1	1	1	1	1	1	
Blue	0	0	0	0	0	0	0	0	0	0	0	0	0	0	0	0	1	1	1	1	1	1	1	1	
Gray scale of White & Black	Black	0	0	0	0	0	0	0	0	0	0	0	0	0	0	0	0	0	0	0	0	0	0	0	
	△	1	0	0	0	0	0	0	1	0	0	0	0	0	0	0	0	1	0	0	0	0	0	0	
	Darker	0	1	0	0	0	0	0	0	0	1	0	0	0	0	0	0	0	1	0	0	0	0	0	
	△																								
	▽																								
	Brighter	1	0	1	1	1	1	1	1	1	0	1	1	1	1	1	1	1	0	1	1	1	1	1	1
▽	0	1	1	1	1	1	1	1	0	1	1	1	1	1	1	1	0	1	1	1	1	1	1	1	
White	1	1	1	1	1	1	1	1	1	1	1	1	1	1	1	1	1	1	1	1	1	1	1	1	

SPEC. NUMBER

SPEC. TITLE

PAGE

NV173FHM-N4C Product Specification Rev. P1

22 OF 35

B2014-Q011-O (3/3)

A4(210 X 297)



BOE	PRODUCT GROUP	REV	ISSUE DATE
	Customer Spec	Rev. P1	2019.2.18

8.0 POWER SEQUENCE

To prevent a latch-up or DC operation of the LCD module, the power on/off sequence shall be as shown in below.

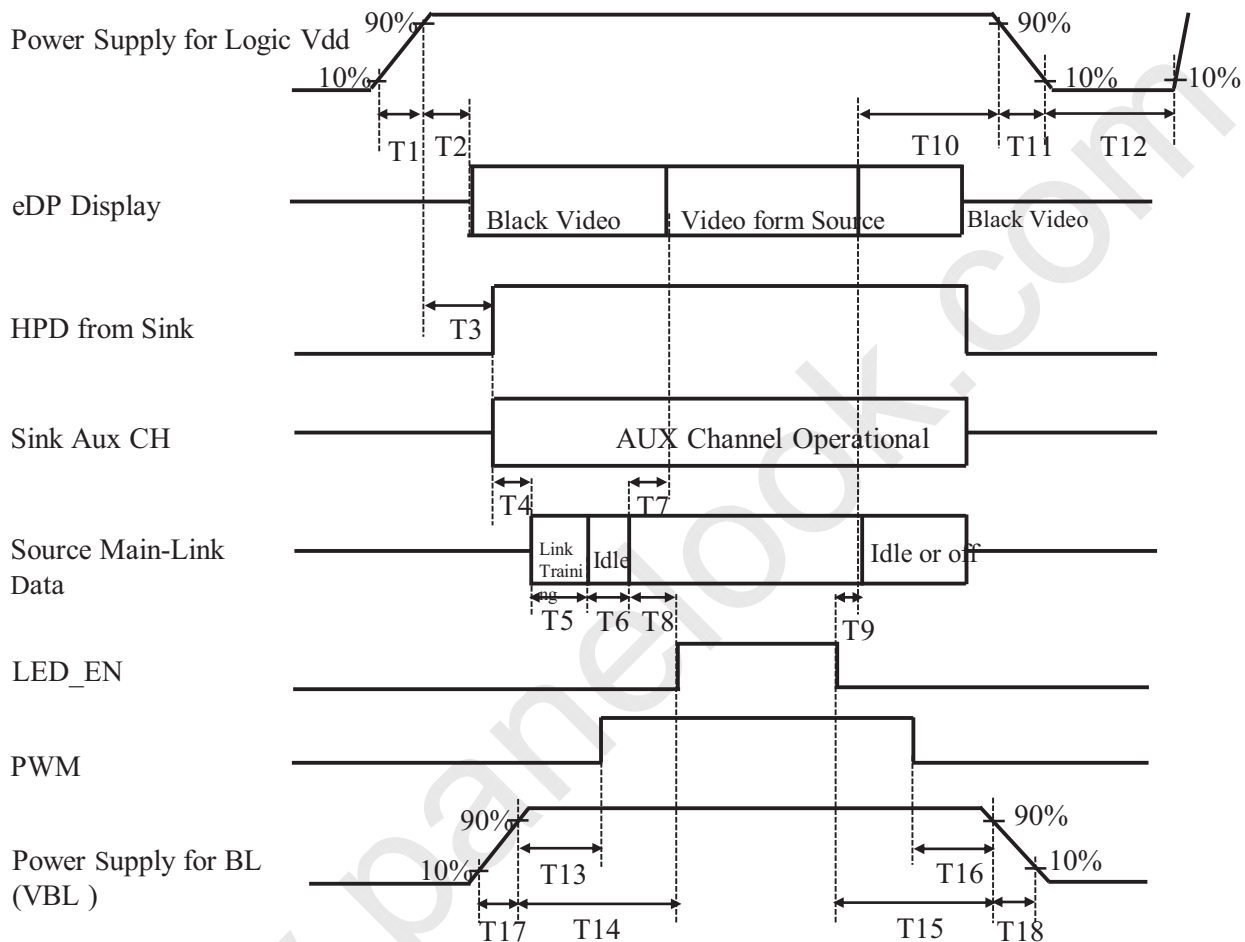


Figure 15. Power Sequence

- 0.5ms ≤ T1 ≤ 10 ms
- 0ms < T2 ≤ 200 ms
- 0ms < T3 ≤ 200 ms
- T3+T4+T5+T6+T8>200ms
- 0ms < T7 ≤ 50ms
- 50ms < T8
- 0ms < T9
- 0ms < T10 < 500 ms
- 0.5ms ≤ T11 ≤ 10 ms
- 500ms ≤ T12
- 0ms < T13
- 0ms < T14
- 0ms < T15
- 0ms < T16
- 0.5ms ≤ T17
- 0.5ms ≤ T18

Notes:

- When the power supply VDD is 0V, keep the level of input signals on the low or keep high impedance.
- Do not keep the interface signal high impedance when power is on. Back Light must be turn on after power for logic and interface signal are valid.

SPEC. NUMBER	SPEC. TITLE	PAGE
	NV173FHM-N4C Product Specification Rev. P1	23 OF 35

BOE

PRODUCT GROUP

REV

ISSUE DATE

Customer Spec

Rev. P1

2019.2.18

9.0 Connector Description

Physical interface is described as for the connector on LCM.

These connectors are capable of accommodating the following signals and will be following components.

9.1 TFT LCD Module

< Table 11. Signal Connector >

Connector Name /Description	For Signal Connector
Manufacturer	STM
Type/ Part Number	MSAK24025P30
Mating housing/ Part Number	IPEX 20455-030E

SPEC. NUMBER

SPEC. TITLE

PAGE

NV173FHM-N4C Product Specification Rev. P1

24 OF 35

B2014-Q011-O (3/3)

A4(210 X 297)

BOE

PRODUCT GROUP

REV

ISSUE DATE

Customer Spec

Rev. P1

2019.2.18

10.0 MECHANICAL CHARACTERISTICS

10.1 Dimensional Requirements

Figure 20 shows mechanical outlines for the model NV173FHM-N4C.
Other parameters are shown in Table 12.

<Table 12. Dimensional Parameters>

Parameter	Specification	Unit
Active Area	381.89 (H) × 214.81 (V)	mm
Number of pixels	1920 (H) X 1080 (V) (1 pixel = R + G + B dots)	pixels
Pixel pitch	198.9 (H) × 198.9(V)	um
Pixel arrangement	RGB Vertical stripe	
Display colors	16.7 M(8bit)	
Display mode	Normally Black	
Dimensional outline	389.89(H) ±0.3 × 238.31(V)±0.5 (W PCB)	mm
Weight	500(max)	g

10.2 Mounting

See Figure 20.

10.3 Glare and Polarizer Hardness.

The surface of the LCD has an anti-glare coating and hard coating .

10.4 Light Leakage

There shall not be visible light from the back-lighting system around the edges of the screen as seen from a distance 30-35cm from the screen with an overhead light level of 150-200lux.

SPEC. NUMBER

SPEC. TITLE

NV173FHM-N4C Product Specification Rev. P1

PAGE

25 OF 35

B2014-Q011-O (3/3)

A4(210 X 297)

BOE

PRODUCT GROUP

REV

ISSUE DATE

Customer Spec

Rev. P1

2019.2.18

11.0 RELIABILITY TEST

The reliability test items and its conditions are shown in below.

<Table 13. Reliability Test>

No	Test Items	Conditions
1	High temperature storage test	Ta = 60 °C, 240 hrs
2	Low temperature storage test	Ta = -20 °C, 240 hrs
3	High temperature/High humidity Storage	Ta = 50 °C, 80%RH, 240 hrs
4	High temperature operation test	Ta = 50 °C, 240 hrs
5	Low temperature operation test	Ta = 0°C, 240 hrs
6	Thermal Shock Storage	Ta = -20 °C ↔ 60 °C (0.5 hr), 100 cycle
7	Shock test (non-operating)	220G, 2ms, Half sine ±X, ±Y, ±Z once each direction
8	Package Vibration test	10-500hz, 1.5G, half sine, X, Y, Z/sweep 60min
9	Electro-static discharge test	Power OFF: Air discharged +/- 15kV Criteria C Contact discharged +/- 8kV Criteria C Power ON: Air discharged +/- 10kV Criteria B Contact discharged +/- 6kV Criteria B

12.0 HANDLING & CAUTIONS

(1) Cautions when taking out the module

- Pick the pouch only, when taking out module from a shipping package.

(2) Cautions for handling the module

- As the electrostatic discharges may break the LCD module, handle the LCD module with care. Peel a protection sheet off from the LCD panel surface as slowly as possible.
- As the LCD panel and back - light element are made from fragile glass material, impulse and pressure to the LCD module should be avoided.
- As the surface of the polarizer is very soft and easily scratched, use a soft dry cloth without chemicals for cleaning.
- Do not pull the interface connector in or out while the LCD module is operating.
- Put the module display side down on a flat horizontal plane.
- Handle connectors and cables with care.

(3) Cautions for the operation

- When the module is operating, do not lose CLK, ENAB signals. If any one of these signals is lost, the LCD panel would be damaged.
- Obey the supply voltage sequence. If wrong sequence is applied, the module would be damaged.

SPEC. NUMBER

SPEC. TITLE

PAGE

NV173FHM-N4C Product Specification Rev. P1

26 OF 35

B2014-Q011-O (3/3)

A4(210 X 297)

BOE	PRODUCT GROUP	REV	ISSUE DATE
	Customer Spec	Rev. P1	2019.2.18

(4) Cautions for the atmosphere

- Dew drop atmosphere should be avoided.
- Do not store and/or operate the LCD module in a high temperature and/or humidity atmosphere. Storage in an electro-conductive polymer packing pouch and under relatively low temperature atmosphere is recommended.

(5) Cautions for the module characteristics

- Do not apply fixed pattern data signal to the LCD module at product aging.
- Applying fixed pattern for a long time may cause image sticking.

(6) Other cautions

- Do not disassemble and/or re-assemble LCD module.
- Do not re-adjust variable resistor or switch etc.
- When returning the module for repair or etc. Please pack the module not to be broken. We recommend to use the original shipping packages.

13.0 LABEL

(1) Product Label

Label Size : 48mm × 12mm

- 1. FG-CODE
- 2. MDL ID
- 3. CT Code :HRTL
- 4. MDLID 2D Bar Code
- 5. CT Code
- 6. MADE IN CHINA

Figure 16. Product Label

Module ID Naming Rule:

<Table 14. Module ID Naming Rule>

序列号	1	2	3	4	5	6	7	8	9	10	11	12	13	14	15	16	17
代码	x	x	x	3	x	x	x	3	9	4	0	x	x	x	x	x	x
描述	GBN		Grade	B3	Year	Month	FG-Code后4位				Serial Number						

SPEC. NUMBER	SPEC. TITLE	PAGE
	NV173FHM-N4C Product Specification Rev. P1	27 OF 35

BOE	PRODUCT GROUP	REV	ISSUE DATE
	Customer Spec	Rev. P1	2019.2.18

CT Code Naming Rule:

<Table 15. CT Code Naming Rule>

序号	1	2	3	4	5	6	7	8	9	10	11	12	13	14
代码	C	H	R	T	L	0	1	0	X	W	W	X	X	X
描述	C	A Code			Rev			Supplier		Date		Serial Number		

(2) Box Label

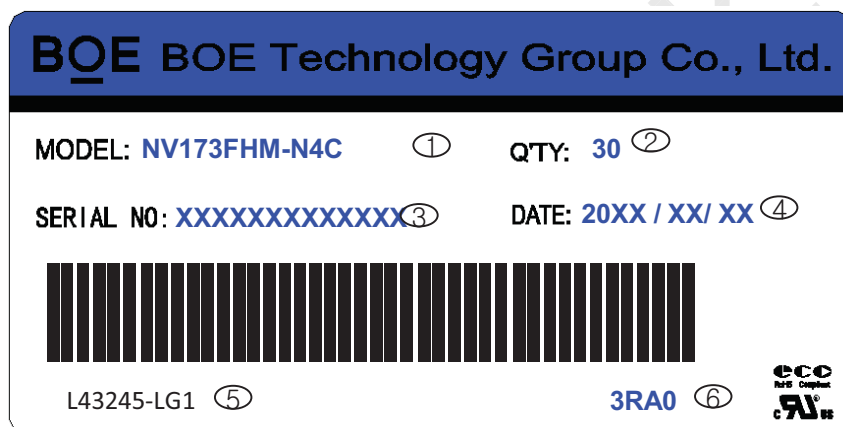


Figure 17. Box Label

Serial number marked part needs to print, show as follows:

1. FG-CODE(First 12 bit)
2. Product quantity
3. Box ID
4. Date
5. The client section material number(The client)
6. FG-Code Last four bit

Total Size:115×55mm

<Table 16. Box Label Naming Rule >

序号	1	2	3	4	5	6	7	8	9	10	11	12	13
代码	X	X	S	3	1	5	B	0	0	0	1	H	D
描述	GBN代码		等级	B3	年份		月	Rev	序列号				

SPEC. NUMBER	SPEC. TITLE	PAGE
	NV173FHM-N4C Product Specification Rev. P1	28 OF 35



BOE	PRODUCT GROUP	REV	ISSUE DATE
	Customer Spec	Rev. P1	2019.2.18

14.0 PACKING INFORMATION

14.1 Packing Order

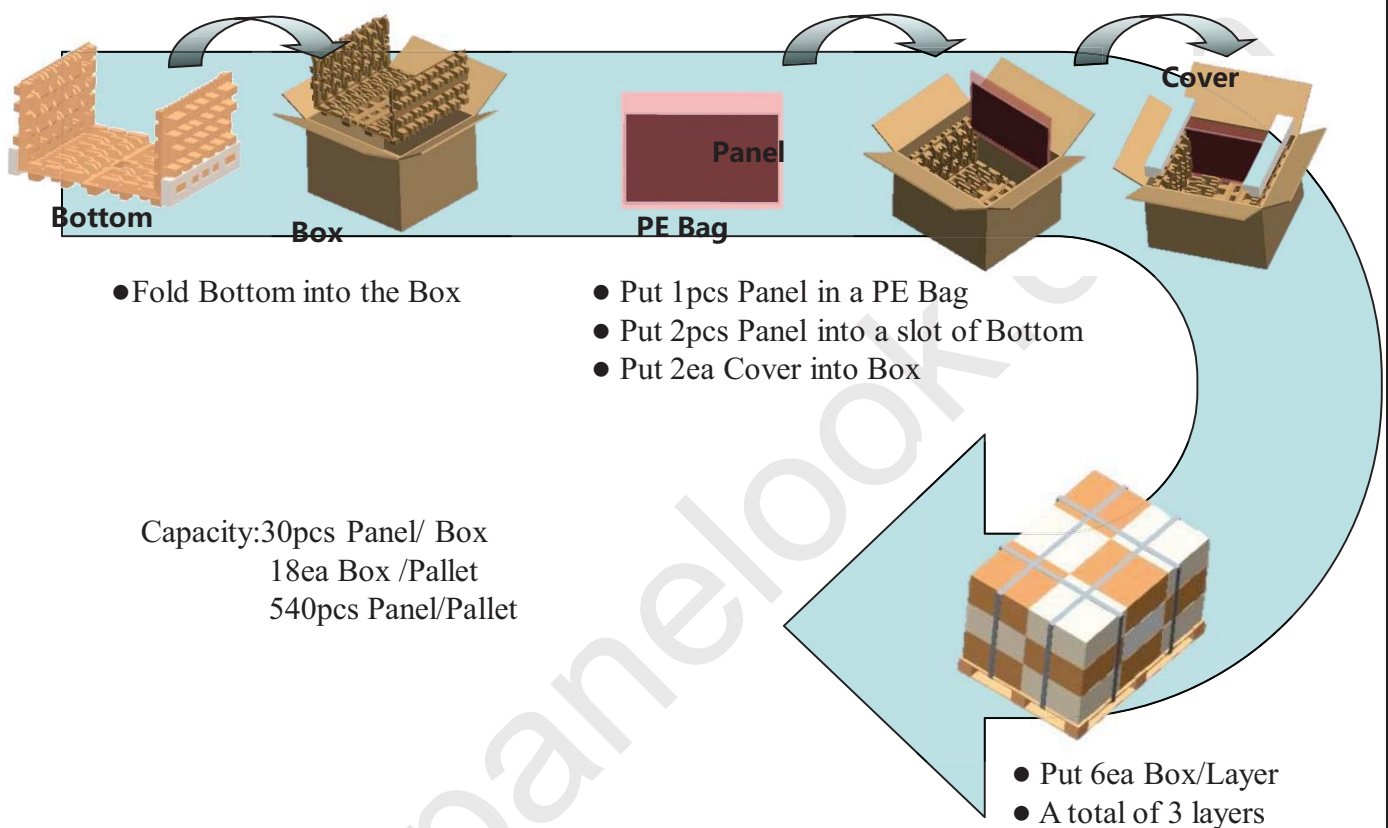


Figure 18. Packing Order

14.2 Note

- Box dimension: 470mm*360mm*318mm
- Package quantity in one box: 30pcs
- Total weight:

SPEC. NUMBER	SPEC. TITLE	PAGE
	NV173FHM-N4C Product Specification Rev. P1	29 OF 35

	PRODUCT GROUP	REV	ISSUE DATE
	Customer Spec	Rev. P1	2019.2.18

15.0 MECHANICAL OUTLINE DIMENSION

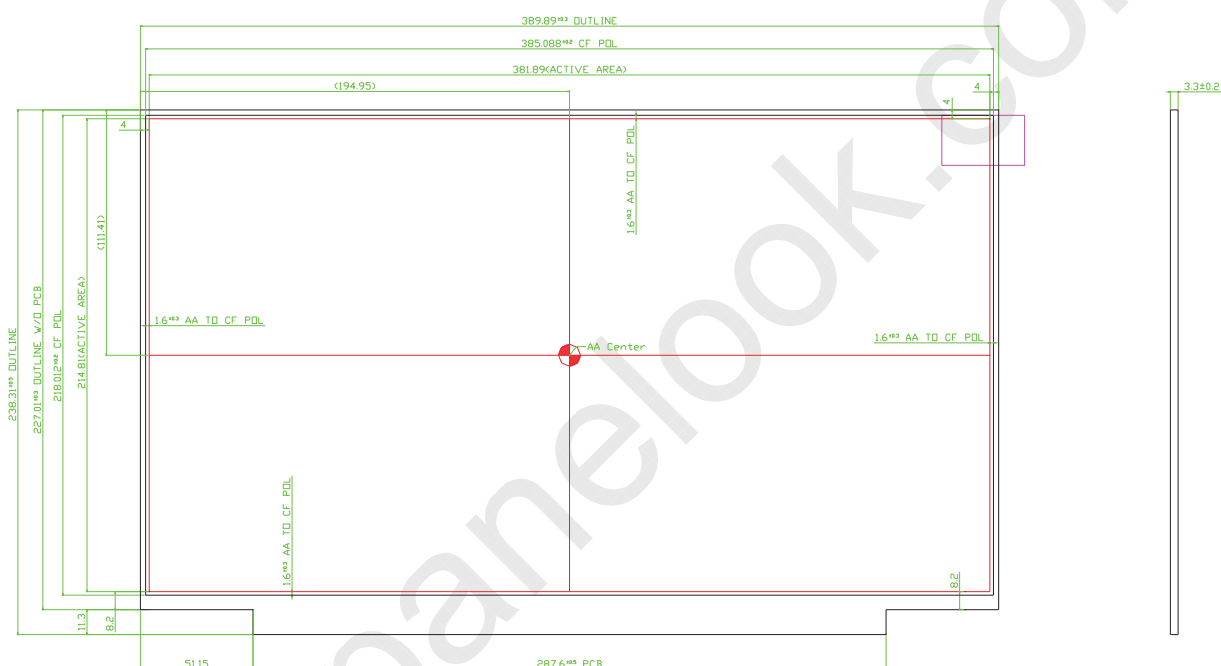


Figure 20. TFT-LCD Module Outline Dimension (Front View)

SPEC. NUMBER	SPEC. TITLE	PAGE
B2014-Q011-O (3/3)	NV173FHM-N4C Product Specification Rev. P1	30 OF 35

B2014-Q011-O (3/3)

A4(210 X 297)



	PRODUCT GROUP	REV	ISSUE DATE
	Customer Spec	Rev. P1	2019.2.18

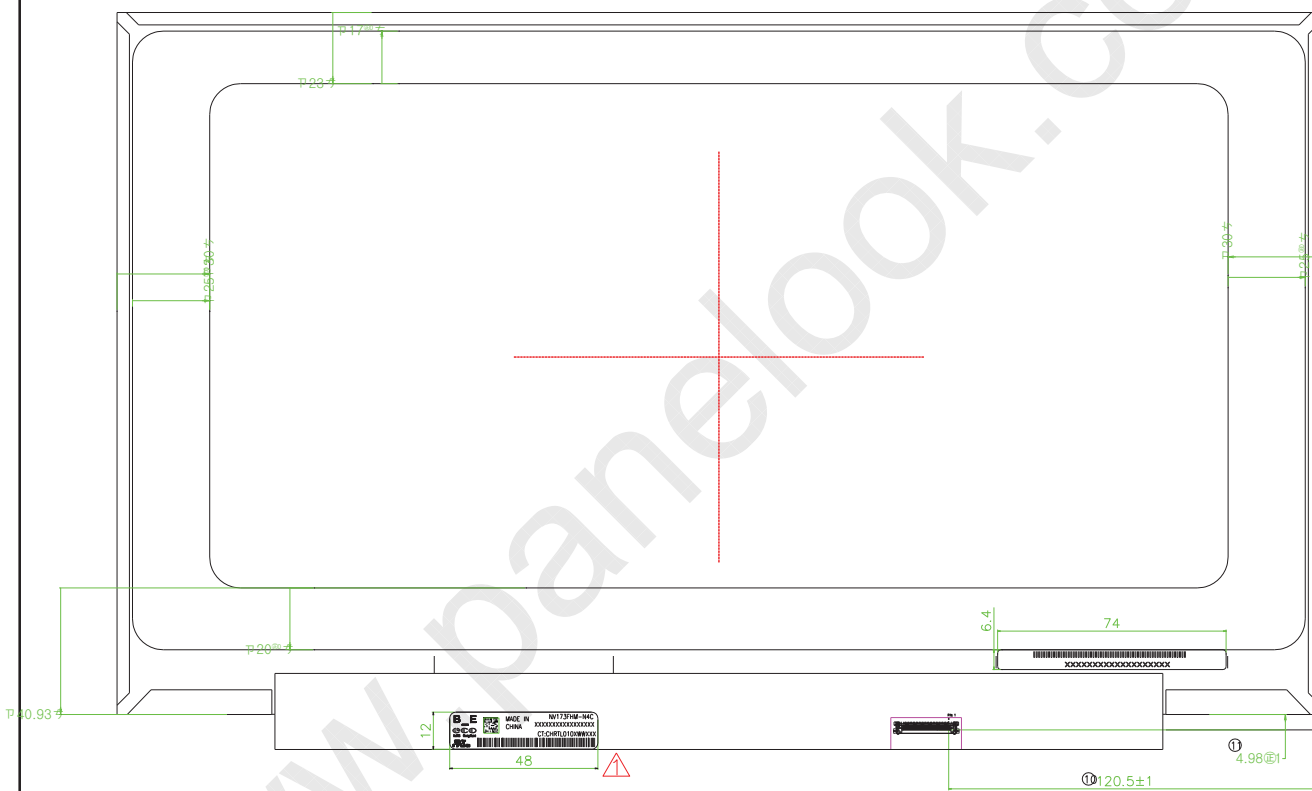


Figure 21. TFT-LCD Module Outline Dimensions (Rear view)

SPEC. NUMBER	SPEC. TITLE	PAGE
B2014-Q011-O (3/3)	NV173FHM-N4C Product Specification Rev. P1	31 OF 35

B2014-Q011-O (3/3)

A4(210 X 297)

BOE

PRODUCT GROUP

REV

ISSUE DATE

Customer Spec

Rev. P1

2019.2.18

16.0 EDID Table

Address (HEX)	Function	Hex	Dec	crc	Input values.	Notes
00	Header	00	0		0	EDID Header
01		FF	255		255	
02		FF	255		255	
03		FF	255		255	
04		FF	255		255	
05		FF	255		255	
06		FF	255		255	
07		00	0		0	
08	ID Manufacturer Name	09	9		BOE	ID = BOE
09		E5	229			
0A	ID Product Code	25	37		2085	ID = 2085
0B		08	8			
0C	32-bit serial No.	00	0		0	
0D		00	0		0	
0E		00	0		0	
0F		00	0		0	
10	Week of manufacture	01	1		1	
11	Year of Manufacture	1C	28		2018	Manufactured in 2018
12	EDID Structure Ver.	01	1		1	EDID Ver 1.0
13	EDID revision #	04	4		4	EDID Rev. 0.4
14	Video input definition	A5	165		-	Refer to right table
15	Max H image size	26	38		38	38 cm (Approx)
16	Max V image size	15	21		21	21 cm (Approx)
17	Display Gamma	78	120		2.2	Gamma curve = 2.2
18	Feature support	03	3		-	Refer to right table
19	Red/Green low bits	DE	222		-	Red / Green Low Bits
1A	Blue/White low bits	50	80		-	Blue / White Low Bits
1B	Red x high bits	A3	163	655	0.640	Red (x) = 10100011 (0.64)
1C	Red y high bits	54	84	337	0.330	Red (y) = 01010100 (0.33)
1D	Green x high bits	4C	76	307	0.300	Green (x) = 01001100 (0.3)
1E	Green y high bits	99	153	614	0.600	Green (y) = 10011001 (0.6)
1F	Blue x high bits	26	38	153	0.150	Blue (x) = 00100110 (0.15)
20	Blue y high bits	0F	15	61	0.060	Blue (y) = 00001111 (0.06)
21	White x high bits	50	80	320	0.313	White (x) = 01010000 (0.313)
22	White y high bits	54	84	336	0.329	White (y) = 01010100 (0.329)

SPEC. NUMBER

SPEC. TITLE

PAGE

NV173FHM-N4C Product Specification Rev. P1

32 OF 35

B2014-Q011-O (3/3)

A4(210 X 297)

BOE		PRODUCT GROUP				REV	ISSUE DATE
		Customer Spec				Rev. P1	2019.2.18
23	Established timing 1	00	0		-	Refer to right table	
24	Established timing 2	00	0		-		
25	Established timing 3	00	0		-		
26	Standard timing #1	01	1			Not Used	
27		01	1				
28	Standard timing #2	01	1			Not Used	
29		01	1				
2A	Standard timing #3	01	1			Not Used	
2B		01	1				
2C	Standard timing #4	01	1			Not Used	
2D		01	1				
2E	Standard timing #5	01	1			Not Used	
2F		01	1				
30	Standard timing #6	01	1			Not Used	
31		01	1				
32	Standard timing #7	01	1			Not Used	
33		01	1				
34	Standard timing #8	01	1			Not Used	
35		01	1				
36	Detailed timing/monitor descriptor #1	C4	196		140.2	140.2MHz Main clock	
37		36	54				
38		80	128		1920	Hor Active = 1920	
39		CC	204		204	Hor Blanking = 204	
3A		70	112		-	4 bits of Hor. Active + 4 bits of Hor. Blanking	
3B		38	56		1080	Ver Active = 1080	
3C		14	20		20	Ver Blanking = 20	
3D		40	64		-	4 bits of Ver. Active + 4 bits of Ver. Blanking	
3E		6C	108		108	Hor Sync Offset = 108	
3F		30	48		48	H Sync Pulse Width = 48	
40		AA	170		10	V sync Offset = 10 line	
41		00	0		10	V Sync Pulse width : 10 line	
42		7E	126		382	Horizontal Image Size = 382 mm (Low 8 bits)	
43		D7	215		215	Vertical Image Size = 215 mm (Low 8 bits)	
44		10	16		-	4 bits of Hor Image Size + 4 bits of Ver Image Size	
45		00	0		0	Hor Border (pixels)	
46		00	0		0	Vertical Border (Lines)	
47		1A	26			Refer to right table	

SPEC. NUMBER

SPEC. TITLE

NV173FHM-N4C Product Specification Rev. P1

PAGE

33 OF 35

B2014-Q011-O (3/3)

A4(210 X 297)



BOE	PRODUCT GROUP	REV	ISSUE DATE
	Customer Spec	Rev. P1	2019.2.18

48	Detailed timing/monitor descriptor #2	86	134		93.5	93.5MHz Main clock	
49		24	36				
4A		80	128		1920	Hor Active = 1920	
4B		CC	204		204	Hor Blanking = 204	
4C		70	112		-	4 bits of Hor. Active + 4 bits of Hor. Blanking	
4D		38	56		1080	Ver Active = 1080	
4E		14	20		20	Ver Blanking = 20	
4F		40	64		-	4 bits of Ver. Active + 4 bits of Ver. Blanking	
50		6C	108		108	Hor Sync Offset = 108	
51		30	48		48	H Sync Pulse Width = 48	
52		AA	170		10	V sync Offset = 10 line	
53		00	0		10	V Sync Pulse width : 10 line	
54		7E	126		382	Horizontal Image Size = 382 mm (Low 8 bits)	
55		D7	215		215	Vertical Image Size = 215 mm (Low 8 bits)	
56		10	16		-	4 bits of Hor Image Size + 4 bits of Ver Image Size	
57		00	0		0	Hor Border (pixels)	
58		00	0		0	Vertical Border (Lines)	
59		1A	26				
5A		Detailed timing/monitor descriptor #3	00	0			Nvidia nvDPS Lowest refresh rate that does not cause any visual/optical side effect
5B			00	0			
5C	00		0				
5D	00		0				
5E	00		0				
5F	00		0				
60	00		0				
61	00		0				
62	00		0				
63	00		0				
64	00		0				
65	00		0				
67	00		0				
68	00		0				
69	00	0					
6A	00	0					
6B	00	0					

SPEC. NUMBER	SPEC. TITLE	PAGE
	NV173FHM-N4C Product Specification Rev. P1	34 OF 35

B2014-Q011-O (3/3)

A4(210 X 297)

BOE		PRODUCT GROUP				REV	ISSUE DATE
		Customer Spec				Rev. P1	2019.2.18
6C	Detailed timing/monitor descriptor #4	00	0		0	Detailed Timing Description #4	
6D		00	0		0	Flag	
6E		00	0		0	Reserved	
6F		02	2			For Brightness Table and Power consumption	
70		00	0		0	Flag	
71		9	9			PWM % [7:0] @ Step 0	
72		33	51			PWM % [7:0] @ Step 5	
73		FF	255			PWM % [7:0] @ Step 10	
74		0A	10			Nits [7:0] @ Step 0	
75		3C	60			Nits [7:0] @ Step 5	
76		96	150			Nits [7:0] @ Step 10	
77		15	21			Panel Electronics Power @32x32 Chess Pattern=	
78		1B	27			Backlight Power @60 nits=	
79		44	68			Backlight Power @Step 10=	
7A		96	150			Nits @ 100% PWM Duty =	
7B		00	0		0	Flags	
7C		00	0		0	Flags	
7D	00	0		0	Flags		
7E	Extension flag	00	0				
7F	Checksum	9A	154	154	-		
SPEC. NUMBER	SPEC. TITLE					PAGE	
B2014-Q011-O (3/3)	NV173FHM-N4C Product Specification Rev. P1					35 OF 35	
						A4(210 X 297)	

B2014-Q011-O (3/3)

A4(210 X 297)