

**TENTATIVE**

All information in this technical data sheet is tentative  
and subject to change without notice.

**8.4"VGA****TECHNICAL SPECIFICATION****AA084VC03****mitsubishi** **MITSUBISHI ELECTRIC Corp.**

Date: Jan.27,'06



# CONTENTS

No.	Item	Page
--	COVER	1
--	CONTENTS	2
1	APPLICATION	3
2	OVERVIEW	4
3	ABSOLUTE MAXIMUM RATINGS	5
4	ELECTRICAL CHARACTERISTICS	5, 6, 7
5	INTERFACE PIN CONNECTION	8
6	INTERFACE TIMING	9, 10, 11
7	BLOCK DIAGRAM	12
8	MECHANICAL SPECIFICATION	13, 14
9	OPTICAL CHARACTERISTICS	15, 16
10	RELIABILITY TEST CONDITION	17
11	INVERTED SCAN CAPABILITY	18
12	HANDLING PRECAUTIONS FOR TFT-LCD MODULE	19, 20, 21

## 1. APPLICATION

This specification applies to color TFT-LCD module, AA084VC03.

These specification papers are the proprietary product of Mitsubishi Electric Corporation (“MITSUBISHI”) and include materials protected under copyright of MITSUBISHI. No part of this document may be reproduced in any form or by any means without the express written permission of MITSUBISHI.

MITSUBISHI does not assume any liability for infringement of patents, copyrights or other intellectual property rights of third parties by or arising from use of a product specified in this document. No license, express, implied or otherwise, is granted under any patents, copyrights or other intellectual property rights of MITSUBISHI or of others.

MITSUBISHI classifies the usage of the TFT-LCD module as follows. Please confirm the usage before using the product.

### (1) Standard Usage

Computers, office equipment, factory automation equipment, test and measurement equipment, communications, transportation equipment(automobiles, ships, trains, etc.), provided, however, that operation is not influenced by TFT-LCD directly.

### (2) Special Usage

Medical equipment, safety equipment, transportation equipment, provided, however, that TFT-LCD is necessary to its operation.

### (3) Specific Usage

Cockpit Equipment, military systems, aerospace equipment, nuclear reactor control systems, life support systems and any other equipment. MITSUBISHI should make a contract that stipulate apportionment of responsibilities between MITSUBISHI and our customer.

The product specified in this document is designed for “Standard Usage” unless otherwise specified in this document. If customers intend to use the product for applications other than those specified for “Standard Usage”, they should contact MITSUBISHI sales representative in advance.

MITSUBISHI has been making continuous effort to improve the reliability of its products. Customers should implement sufficient reliability design of their application equipments such as redundant system design, fail-safe functions, anti-failure features.

MITSUBISHI assumes no responsibility for any damage resulting from the use of the product that does not comply with the instructions and the precautions specified in this document.

Please contact and consult a MITSUBISHI sales representative for any questions regarding this product.

## 2. OVERVIEW

AA084VC03 is 8.4" color TFT-LCD (Thin Film Transistor Liquid Crystal Display) module composed of LCD panel, driver ICs, control circuit, and backlight unit.

By applying 6 bit digital data, 640 × 480, 262,144-color images are displayed on the 8.4" diagonal screen. Input power voltage is single 3.3V for LCD driving.

Inverter for backlight is not included in this module. General specifications are summarized in the following table:

ITEM	SPECIFICATION
Display Area (mm)	170.9(H) × 128.2 (V) (8.4-inch diagonal)
Number of Dots	640 × 3 (H) × 480 (V)
Pixel Pitch (mm)	0.267 (H) × 0.267 (V)
Color Pixel Arrangement	RGB vertical stripe
Display Mode	normally white
Number of Colors	262,144
Contrast ratio	450
Optimum Viewing Angle(Contrast ratio)	6 o'clock
Brightness (cd/m <sup>2</sup> )	450
Module Size (mm)	199.5 (W) × 149.0 (H) × 11.5 (D)
Module Mass (g)	400(Typ)
Backlight Unit	CCFL, 2-tubes, edge-light, replaceable
Surface Treatment	Anti-glare and hard-coating 3H

Characteristic value without any note is typical value.

### 3. ABSOLUTE MAXIMUM RATINGS

ITEM	SYMBOL	MIN.	MAX.	UNIT
Power Supply Voltage for LCD	VCC	0	4.0	V
Logic Input Voltage	VI	0	6.0	V
Lamp Voltage	VL	0	1500	Vrms
Lamp Current	IL	0	8.0	mArms
Lamp Frequency	FL	--	80	kHz
Operation Temperature(Panel) <small>Note 1,2)</small>	T <sub>op</sub> (Panel)	0	65	°C
Operation Temperature(Ambient) <small>Note 2)</small>	T <sub>op</sub> (Ambient)	0	65	°C
Storage Temperature <small>Note 2)</small>	T <sub>stg</sub>	-20	70	°C

[Note]

1) Measured at the center of active area and at the center of panel back surface

2) Top, Tstg ≤ 40°C : 90%RH max. without condensation

Top, Tstg > 40°C : Absolute humidity shall be less than the value of 90%RH at 40°C without condensation.

### 4. ELECTRICAL CHARACTERISTICS

(1) TFT- LCD

Ambient Temperature: Ta = 25°C

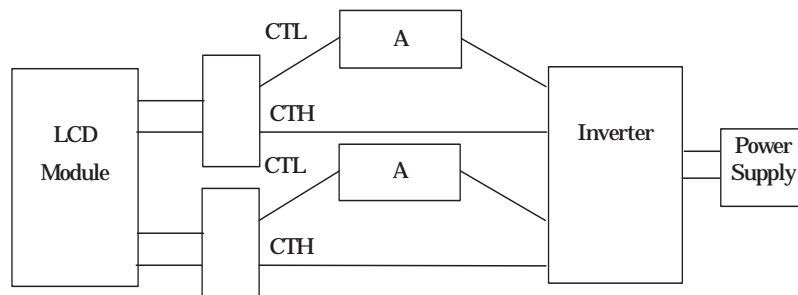
ITEM	SYMBOL	MIN.	TYP.	MAX.	UNIT	Remarks	
Power Supply Voltages for LCD	VCC	3.0	3.3	3.6	V	Note A) (See: Page 6,7)	
Power Supply Currents for LCD	ICC	--	240	400	mA	Note B) (See: Page 7)	
Permissive input ripple Voltage	VRP	--	--	100	mVp-p	VCC=+3.3V	
Logic Input Voltage	High	VIH	2.4	--	5.5	V	VCC=MAX
	Low	VIL	0	--	0.8	V	VCC=MIN

(2) Backlight

Ta = 25°C

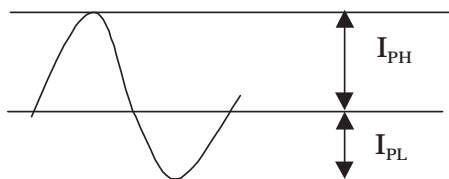
ITEM	SYMBOL	MIN.	TYP.	MAX.	UNIT	Remarks
Lamp Voltage	VL	--	450	--	Vrms	IL = 6.5 mArms
Lamp Current	IL	3.0	6.5	7.0	mArms	*1), *5)
Lamp Frequency	FL	30	--	60	kHz	*2)
Starting Lamp Voltage	VS	670	--	--	Vrms	
Lamp Life Time	LT	40000	--	--	h	*3), *4) IL = 6.5 mArms

\*1) Lamp Current measurement method (The current meter is inserted in low voltage line.)



- \*2) Lamp frequency of inverter may produce interference with horizontal synchronous frequency, and this may cause horizontal beat on the display. Therefore, please adjust lamp frequency, and keep inverter as far from module as possible or use electronic shielding between inverter and module to avoid the interference.
- \*3) Lamp life time is defined as the time either when the brightness becomes 50% of the initial value, or when the starting lamp voltage does not meet the value specified in this table.
- \*4) The life time of the backlight depends on the ambient temperature. The life time will decrease under low/high temperature.
- \*5) Please use the inverter which has symmetrical current wave form as follows,

The degree of unbalance: less than 10%  
 The ratio of wave height: less than  $\sqrt{2} \pm 10\%$



$I_{PH}$ : High side peak

$I_{PL}$ : Low side peak

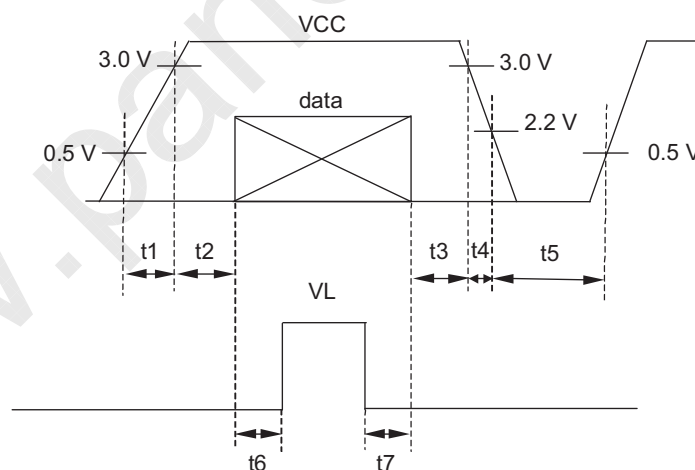
The degree of unbalance =  $|I_{PH} - I_{PL}| / I_{rms} \times 100(\%)$   
 The ratio of wave height =  $I_{PH}(\text{or } I_{PL}) / I_{rms}$

CURRENT WAVE FORM

[Note]

A) Power and signals sequence:

- $t1 \leq 10 \text{ ms}$
- $0 < t2 \leq 50 \text{ ms}$
- $0 < t3 \leq 50 \text{ ms}$
- $0 \leq t4 \leq 50 \text{ ms}$
- $400 \text{ ms} \leq t5$
- $200 \text{ ms} \leq t6$
- $0 \leq t7$

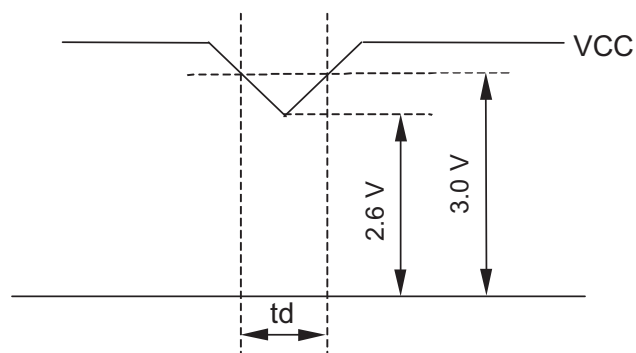


Data: RGB DATA, DCLK, HD, VD, DENA

**VCC-dip conditions:**

- 1) When  $2.6\text{ V} \leq VCC < 3.0\text{ V}$ ,  $t_d \leq 10\text{ ms}$
- 2) When  $VCC < 2.6\text{ V}$

VCC-dip conditions should also follow the power and signals sequence.

**B) Typical current condition:**

64- gray- bar-pattern

480 line mode

$VCC = +3.3\text{ V}$ ,  $f_H = 31.5\text{ kHz}$ ,  $f_V = 60\text{ Hz}$ ,  $f_{CLK} = 25\text{ MHz}$

## 5. INTERFACE PIN CONNECTION

### CN 1(INTERFACE SIGNAL)

Used connector: DF9B-31P-1V(Hirose)

Corresponding connector: DF9B-31S-1V(Hirose)

Pin No.	Symbol	Function
1	GND	
2	DCLK	Clock signal for sampling catch data signal
3	HD	Horizontal sync signal
4	VD	Vertical sync signal
5	GND	
6	R0	Red data signal(LSB)
7	R1	Red data signal
8	R2	Red data signal
9	R3	Red data signal
10	R4	Red data signal
11	R5	Red data signal(MSB)
12	GND	
13	G0	Green data signal(LSB)
14	G1	Green data signal
15	G2	Green data signal
16	G3	Green data signal
17	G4	Green data signal
18	G5	Green data signal(MSB)
19	GND	
20	B0	Blue data signal(LSB)
21	B1	Blue data signal
22	B2	Blue data signal
23	B3	Blue data signal
24	B4	Blue data signal
25	B5	Blue data signal(MSB)
26	GND	
27	DENA	Data enable signal(to settle the viewing area)
28	VCC	3.3 V Power Supply
29	VCC	3.3 V Power Supply
30	GND	
31	REV	Reverse scan control. L = Normal, H = Reverse

\*) The shielding case is connected with GND

### CN 2 , CN 3 (BACKLIGHT)

Backlight-side connector: BHR-02(8.0)VS-1N(JST)

Inverter-side connector: SM02(8.0)B-BHS(JST)

Pin No.	Symbol	Function
1	CTH	VBLH (High Voltage)
3	CTL	VBLL (Low Voltage)

[Note]

VBLH-VBLL = VL



## 6. INTERFACE TIMING

### (1) Timing Specifications

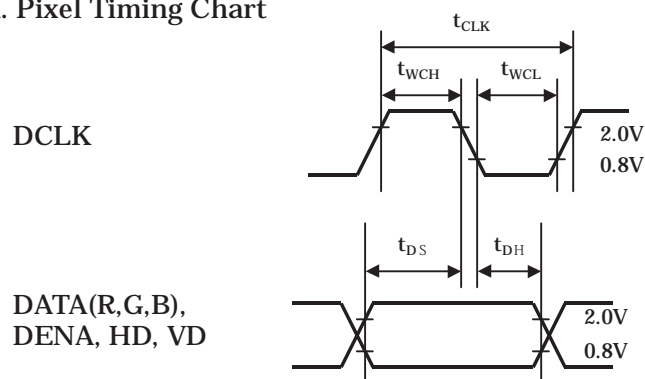
ITEM		SYMBOL	MIN.	TYP.	MAX.	UNIT
DCLK *1), *4)	Frequency	f <sub>CLK</sub>	20	25	30	MHz
	Period	t <sub>CLK</sub>	33.3	40	50	ns
	Low Width	t <sub>WCL</sub>	10	--	--	ns
	High Width	t <sub>WCH</sub>	10	--	--	ns
DATA (R,G,B,DENA, HD, VD) *1)	Set up time	t <sub>DS</sub>	5	--	--	ns
	Hold time	t <sub>DH</sub>	5	--	--	ns
DENA *3)	Horizontal Active Time	t <sub>HA</sub>	640	640	640	t <sub>CLK</sub>
	Horizontal Front Porch	t <sub>HFP</sub>	0	16	--	t <sub>CLK</sub>
	Horizontal Back Porch	t <sub>HBP</sub>	19	144	--	t <sub>CLK</sub>
	Vertical Active Time	t <sub>VA</sub>	480	480	480	t <sub>H</sub>
	Vertical Front Porch	t <sub>VFP</sub>	1	10	--	t <sub>H</sub>
	Vertical Back Porch	t <sub>VBP</sub>	8	35	--	t <sub>H</sub>
HD *2), *4)	Frequency	f <sub>H</sub>	27	31.5	38	kHz
	Period	t <sub>H</sub>	26.3	31.7	37.0	μs
	Low Width	t <sub>WHL</sub>	5	96	--	t <sub>CLK</sub>
VD *2)	Frequency	f <sub>V</sub>	55	60	70	Hz
	Period	t <sub>V</sub>	14.2	16.7	18.2	ms
	Low Width	t <sub>WVL</sub>	2	2	--	t <sub>H</sub>

[Note]

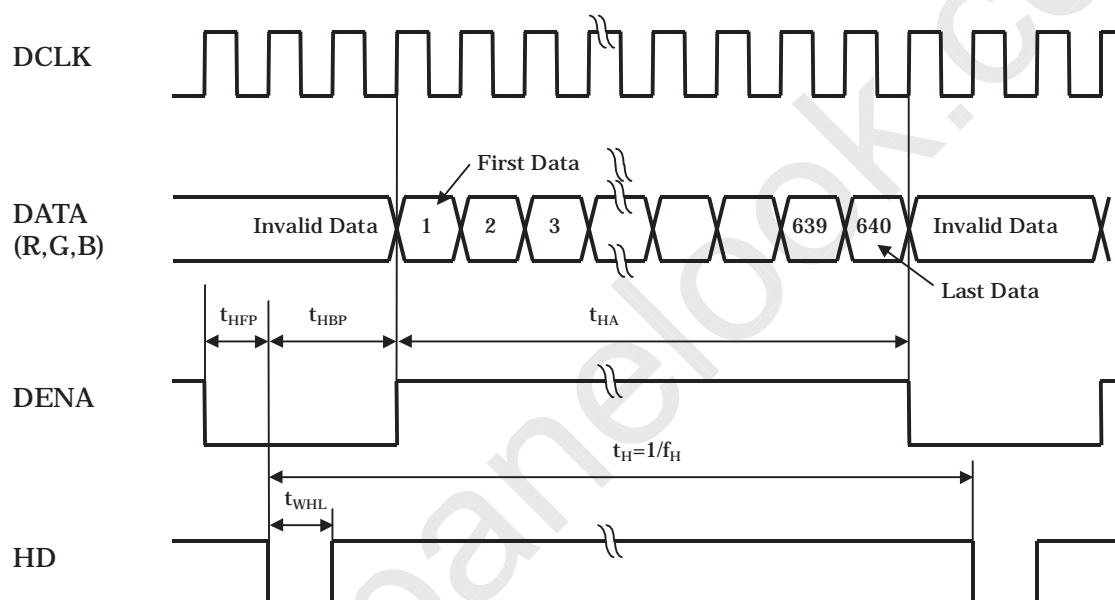
- \*1) DATA is latched at fall edge of DCLK in this timing specification.
- \*2) Polarities of HD and VD are negative in this specification.
- \*3) DENA (Data Enable) should always be positive polarity as shown in the timing specification.
- \*4) DCLK should appear during all invalid period, and HD should appear during invalid period of frame cycle.

## (2) Timing Chart

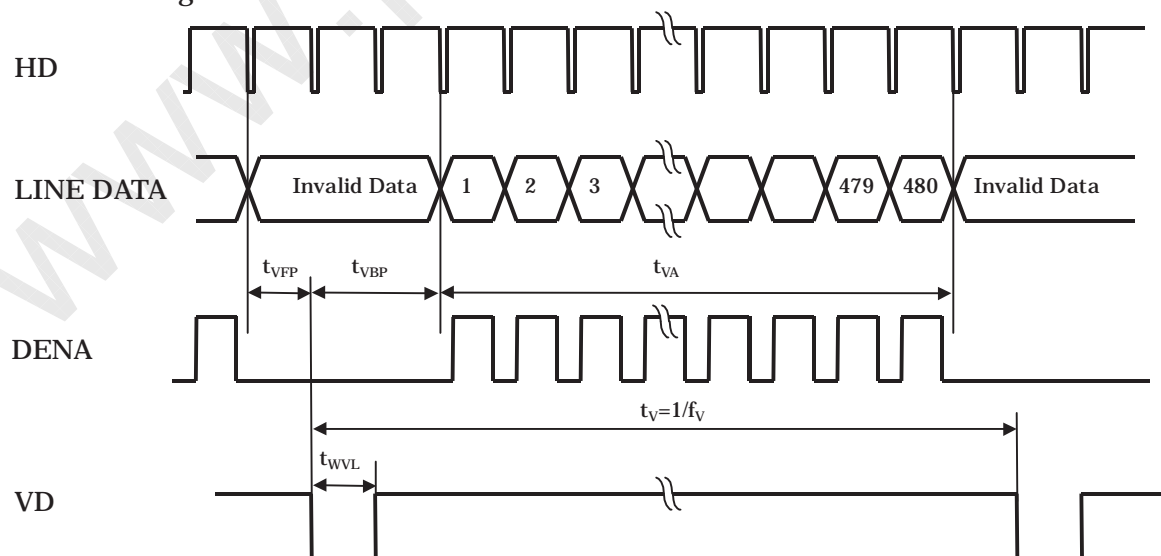
## a. Pixel Timing Chart



## b. Horizontal Timing Chart



## c. Vertical Timing Chart



## (3) Color Data Assignment

COLOR		INPUT DATA																	
		R DATA						G DATA						B DATA					
		R5	R4	R3	R2	R1	R0	G5	G4	G3	G2	G1	G0	B5	B4	B3	B2	B1	B0
		MSB					LSB	MSB					LSB	MSB					LSB
BASIC COLOR	BLACK	0	0	0	0	0	0	0	0	0	0	0	0	0	0	0	0	0	0
	RED(63)	1	1	1	1	1	1	0	0	0	0	0	0	0	0	0	0	0	0
	GREEN(63)	0	0	0	0	0	0	1	1	1	1	1	1	0	0	0	0	0	0
	BLUE(63)	0	0	0	0	0	0	0	0	0	0	0	0	1	1	1	1	1	1
	CYAN	0	0	0	0	0	0	1	1	1	1	1	1	1	1	1	1	1	1
	MAGENTA	1	1	1	1	1	1	0	0	0	0	0	0	1	1	1	1	1	1
	YELLOW	1	1	1	1	1	1	1	1	1	1	1	1	0	0	0	0	0	0
	WHITE	1	1	1	1	1	1	1	1	1	1	1	1	1	1	1	1	1	1
RED	RED (1)	0	0	0	0	0	1	0	0	0	0	0	0	0	0	0	0	0	0
	RED(2)	0	0	0	0	1	0	0	0	0	0	0	0	0	0	0	0	0	0
	RED (62)	1	1	1	1	1	0	0	0	0	0	0	0	0	0	0	0	0	0
	RED(63)	1	1	1	1	1	1	0	0	0	0	0	0	0	0	0	0	0	0
GREEN	GREEN (1)	0	0	0	0	0	0	0	0	0	0	0	1	0	0	0	0	0	0
	GREEN(2)	0	0	0	0	0	0	0	0	0	0	1	0	0	0	0	0	0	0
	GREEN(62)	0	0	0	0	0	0	1	1	1	1	1	0	0	0	0	0	0	0
	GREEN(63)	0	0	0	0	0	0	1	1	1	1	1	1	0	0	0	0	0	0
BLUE	BLUE(1)	0	0	0	0	0	0	0	0	0	0	0	0	0	0	0	0	0	1
	BLUE(2)	0	0	0	0	0	0	0	0	0	0	0	0	0	0	0	0	1	0
	BLUE(62)	0	0	0	0	0	0	0	0	0	0	0	0	1	1	1	1	1	0
	BLUE(63)	0	0	0	0	0	0	0	0	0	0	0	0	1	1	1	1	1	1

[Note]

## 1) Definition of gray scale

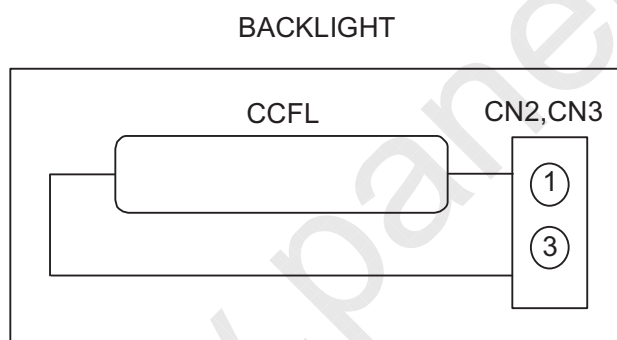
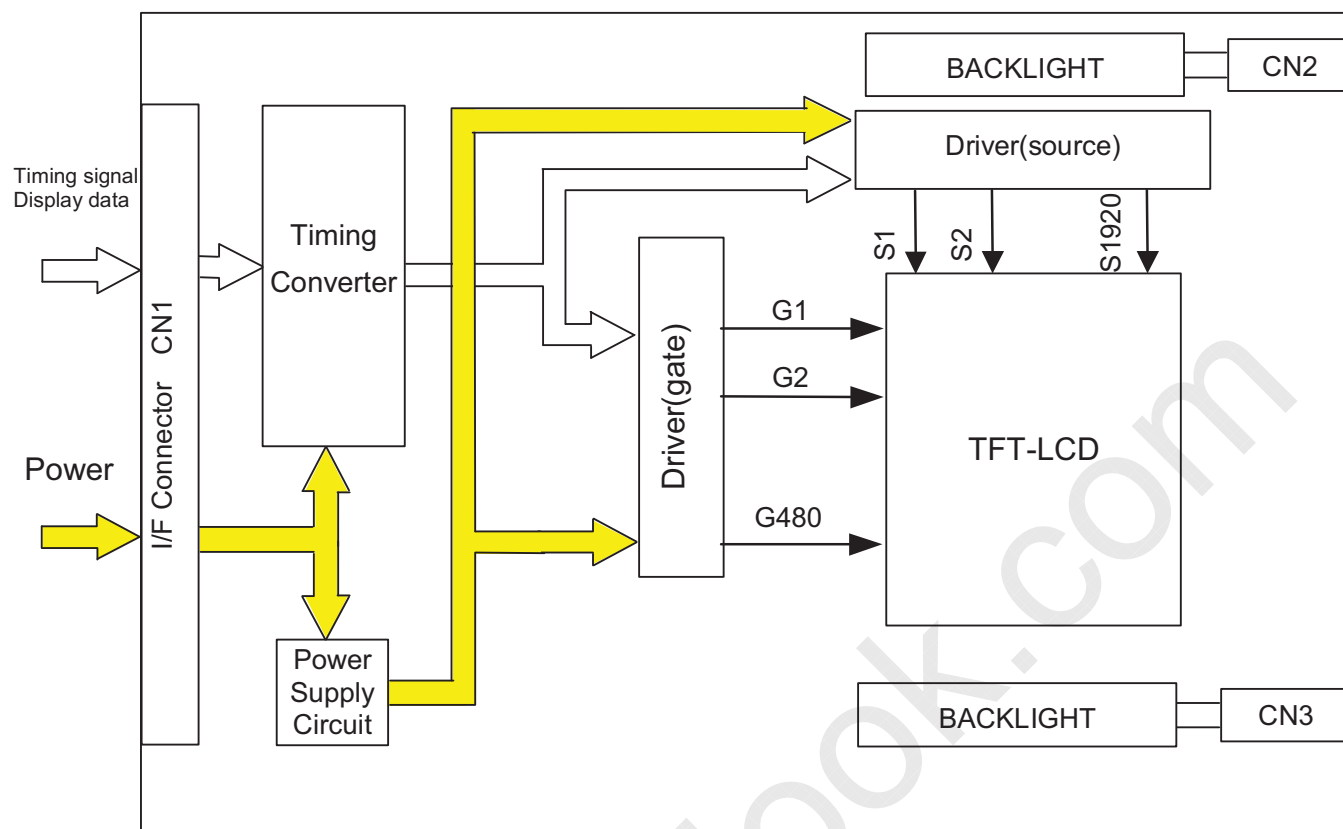
Color (n) ---n indicates gray scale level.

Higher n means brighter level.

## 2) Data

1:High, 0: Low

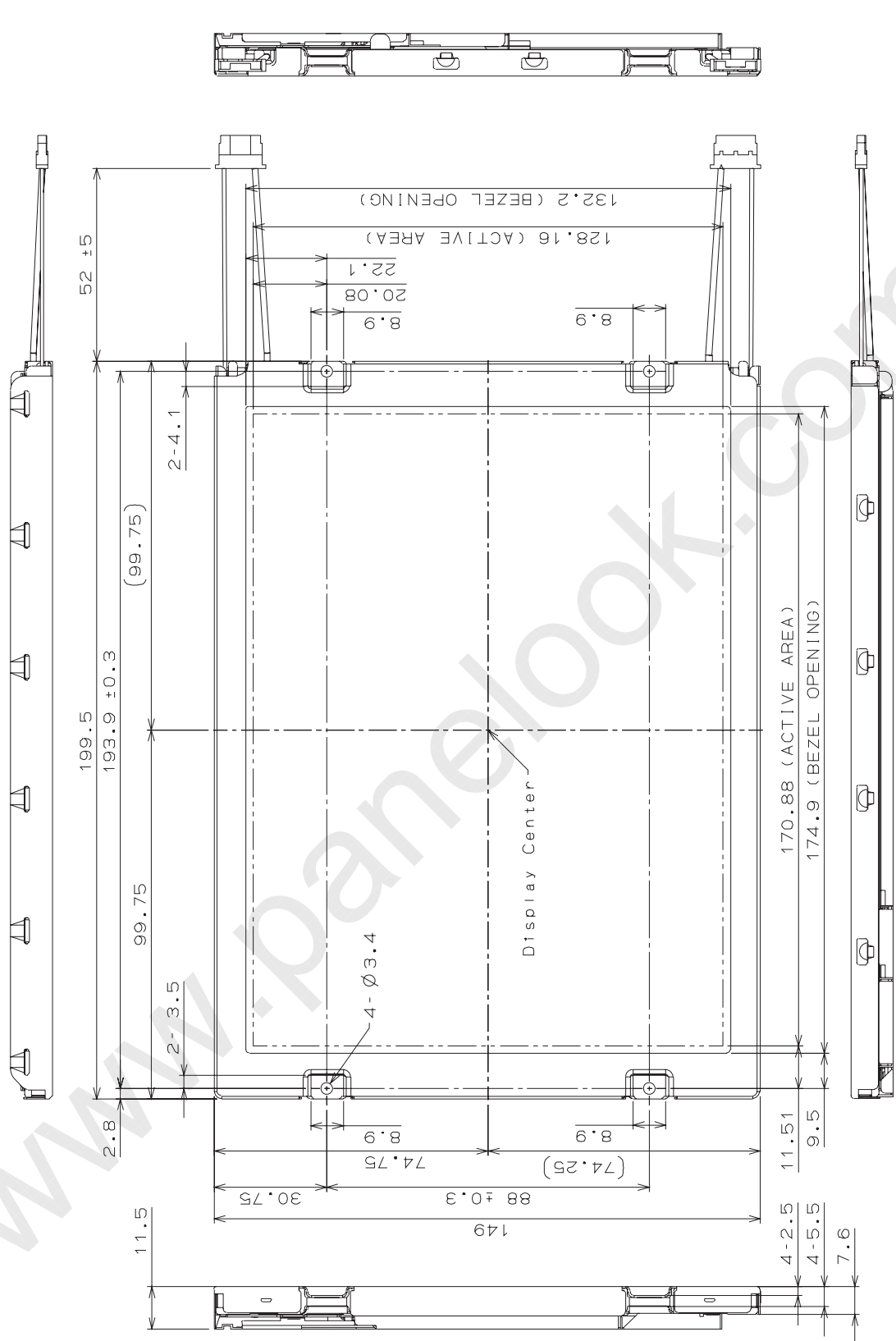
## 7. BLOCK DIAGRAM





# 8. MECHANICAL SPECIFICATIONS

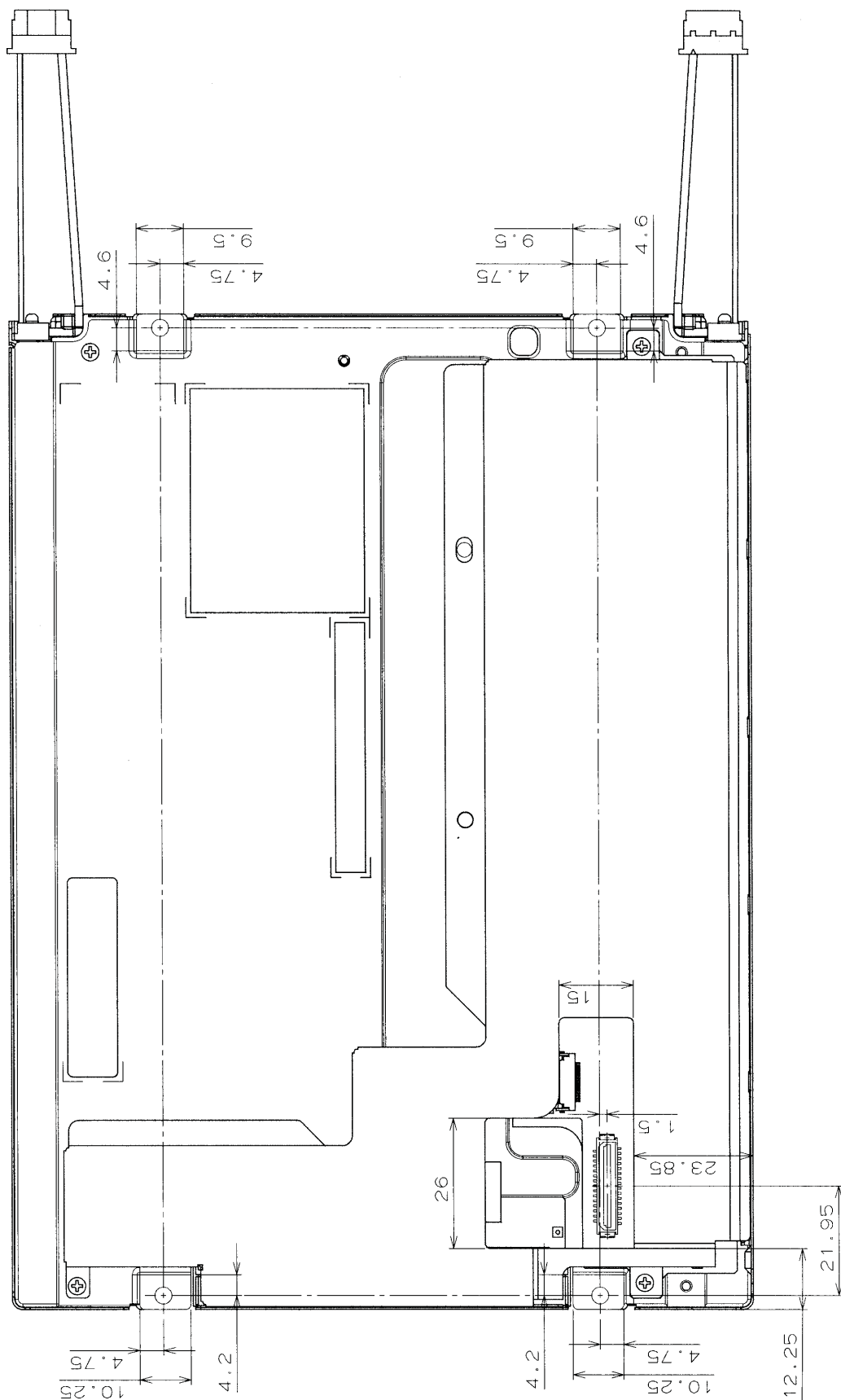
## (1) Front Side



AA084VC03  
1) Tolerance is ±0.5mm unless noted

(Unit: mm)

## (2) Rear Side



AA084VC03

1) Tolerance is  $\pm 0.5\text{mm}$  unless noted

(Unit: mm)

## [Note]

We recommend you referring to the detailed drawing for your design.

Please contact our company sales representative when you need the detailed drawing.

## 9. OPTICAL CHARACTERISTICS

Ta = 25°C, VCC = 3.3 V, Input Signals: Typ. Values shown in Section 6

ITEM	SYMBOL	CONDITION	MIN.	TYP.	MAX.	UNIT	Remarks	
Contrast Ratio	CR	$\theta = \phi = 0^\circ$	300	450	--	--	*1)*3)	
Luminance	Lw	$\theta = \phi = 0^\circ$	350	450	--	cd/m <sup>2</sup>	*2)*3)	
Luminance Uniformity	$\Delta Lw$	$\theta = \phi = 0^\circ$	--	--	30	%	*2)*3)	
Response Time	tr	$\theta = \phi = 0^\circ$	--	8	--	ms	*3)*4)	
	tf	$\theta = \phi = 0^\circ$	--	27	--	ms	*3)*4)	
Viewing Angle	Horizontal	$\phi$	CR $\geq$ 10	--	-65~65	--	°	*3)
	Vertical			$\theta$	--	-60~50	--	°
Image Sticking	tis	2 h	--	--	2	s	*5)	
Color Coordinates	Red	Rx	$\theta = \phi = 0^\circ$	0.528	0.558	0.588	--	*3)
		Ry		0.297	0.327	0.357		
	Green	Gx		0.288	0.318	0.348		
		Gy		0.494	0.524	0.554		
	Blue	Bx		0.125	0.155	0.185		
		By		0.108	0.138	0.168		
White	Wx	0.281	0.311	0.341				
	Wy	0.297	0.327	0.357				

[Note]

These items are measured using CS1000(MINOLTA) for color coordinates, EZContrast(ELDIM) for viewing angle, and CS1000 or BM-5A(TOPCON) for others under the dark room condition (no ambient light) after more than 30 minutes from turning on the lamp unless noted.

Condition: IL=6.5mA rms, FL = 60 kHz

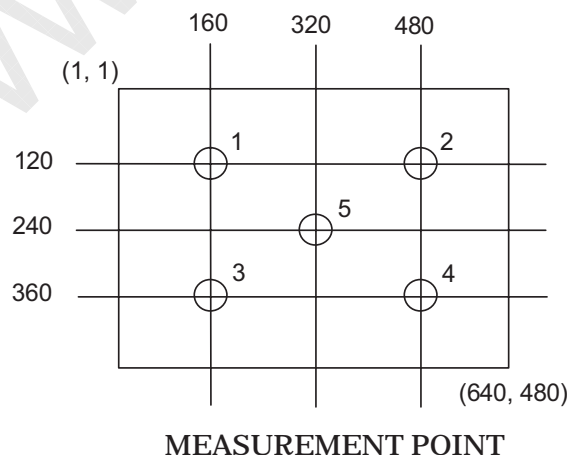
### \*1) Definition of Contrast Ratio

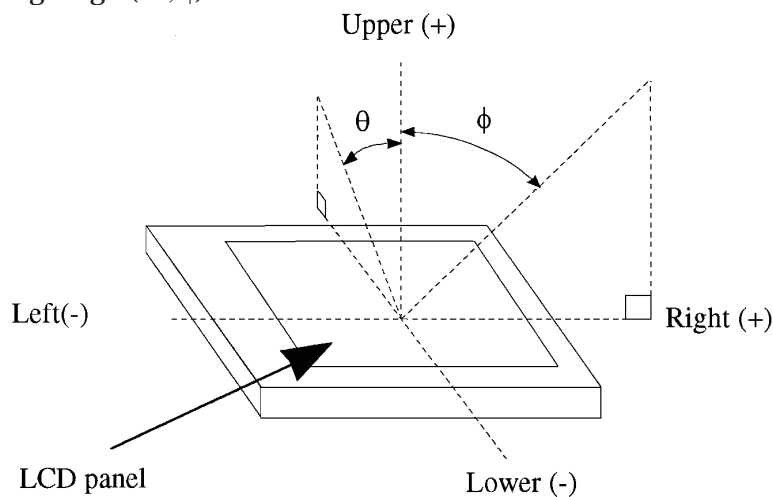
CR=ON (White) Luminance / OFF(Black) Luminance: measurement point 5 (center point) shown in a figure below

### \*2) Definition of Luminance and Luminance Uniformity

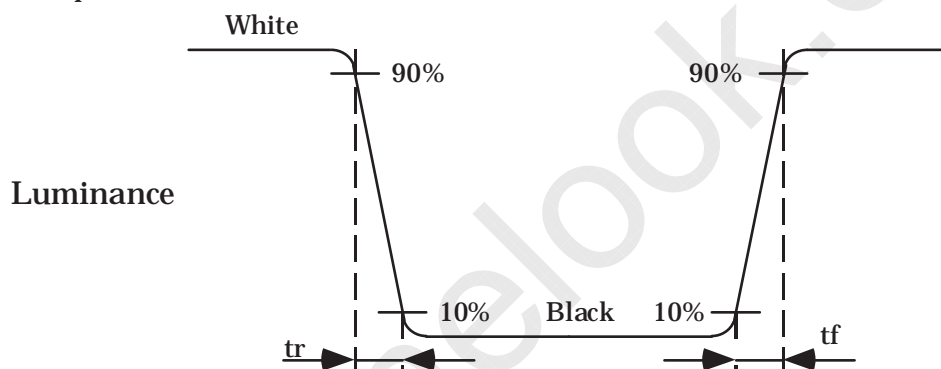
Lw= ON (White) Luminance: measurement point 5 (center point) shown in a figure below

$\Delta Lw = [Lw(\text{MAX})/Lw(\text{MIN}) - 1] \times 100$



\*3) Definition of Viewing Angle(  $\theta$  ,  $\phi$  )

## \*4) Definition of Response Time



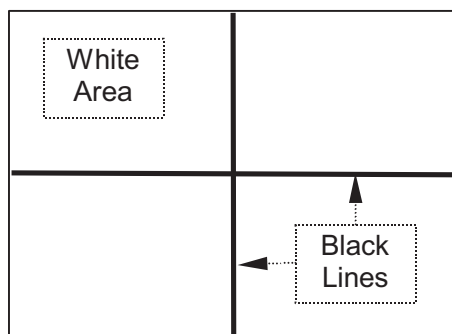
## \*5) Image Sticking

Continuously display the test pattern shown in the figure below for two-hours. Then display a completely white screen. The previous image shall not persist more than two seconds at 25°C.

## TEST PATTERN FOR IMAGE STICKING TEST

Cols 318-322

Rows 238-242





## 10. RELIABILITY TEST CONDITION

### (1) Temperature and Humidity

TEST ITEM	CONDITIONS
HIGH TEMPERATURE HIGH HUMIDITY OPERATION	40°C, 90%RH, 240 h
HIGH TEMPERATURE STORAGE	70°C, 240 h
LOW TEMPERATURE STORAGE	-20°C, 240 h
THERMAL SHOCK (NON-OPERATION)	BETWEEN -20°C (1h) and 70°C(1h), 10 CYCLES

### (2) Shock & Vibration

ITEM	CONDITIONS
SHOCK (NON-OPERATION)	Shock level: 1470m/s <sup>2</sup> (150G) Waveform: half sinusoidal wave, 2ms Number of shocks: one shock input in each direction of three mutually perpendicular axis for a total of six shock inputs
VIBRATION (NON-OPERATION)	Vibration level: 9.8 m/s <sup>2</sup> (1.0G)(Zero to Peak) Waveform: sinusoidal Frequency range: 30 to 120 Hz Duration: one sweep from 30 to 120 Hz in each of three mutually perpendicular axis(each x,y,z axis: 20 min, total 1 h)

### (3) Judgment standard

The judgment of the above tests should be made as follow:

Pass: Normal display image, no damage of the display function. (ex. no line defect)

Partial transformation of the module parts should be ignored.

Fail: No display image, damage of the display function. (ex. line defect)

## 11. INVERTED SCAN CAPABILITY

This module has the capability of inverting scan direction by signaling from controller.

Note that scan direction cannot be changed during operation.

The following figure shows the relation between the display position and the scan direction.

### DISPLAY POSITION

Normal scan: SC = "L"

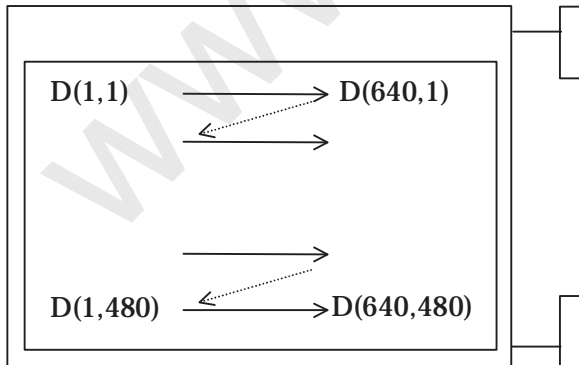
D( 1, 1)	D( 2, 1)	---	D( X, 1)	---	D(639, 1)	D(640, 1)
D( 1, 2)	D( 2, 2)	---	D( X, 2)	---	D(639, 2)	D(640, 2)
↓	↓	+	+	+	↓	↓
D( 1, Y)	D( 2, Y)	---	D( X, Y)	---	D(639, Y)	D(640, Y)
↓	↓	+	+	+	↓	↓
D( 1,479)	D( 2,479)	---	D( X,479)	---	D(639,479)	D(640,479)
D( 1,480)	D( 2,480)	---	D( X,480)	---	D(639,480)	D(640,480)

Reverse scan: SC = "H"

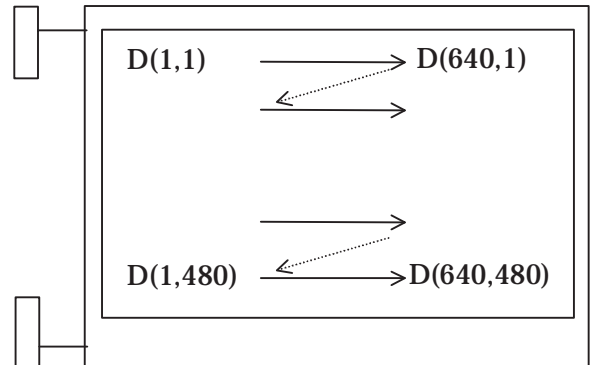
D(640,480)	D(639,480)	---	D( X,480)	---	D( 2,480)	D( 1,480)
D(640,479)	D(639,479)	---	D( X,479)	---	D( 2,479)	D( 1,479)
↓	↓	+	+	+	↓	↓
D(640, Y)	D(639, Y)	---	D( X, Y)	---	D( 2, Y)	D( 1, Y)
↓	↓	+	+	+	↓	↓
D(640, 2)	D(639, 2)	---	D( X, 2)	---	D( 2, 2)	D( 1, 2)
D(640, 1)	D(639, 1)	---	D( X, 1)	---	D( 2, 1)	D( 1, 1)

The following drawings shows the relationship between the viewing direction and the scan direction.

Normal scan



Reverse scan



## 12. HANDLING PRECAUTIONS FOR TFT-LCD MODULE

Please pay attention to the followings in handling TFT-LCD products;

### (1) ASSEMBLY PRECAUTION

- a. Please use the mounting hole on the module in installing and do not bending or wrenching LCD in assembling. And please do not drop, bend or twist LCD module in handling.
- b. Please design display housing in accordance with the following guide lines.
  - (a) Housing case must be designed carefully so as not to put stresses on LCD all sides and not to wrench module. The stresses may cause non-uniformity even if there is no non-uniformity statically.
  - (b) Keep sufficient clearance between LCD module back surface and housing when the LCD module is mounted. Approximately 1.0mm of the clearance in the design is recommended taking into account the tolerance of LCD module thickness and mounting structure height on the housing.
  - (c) When some parts, such as, FPC cable and ferrite plate, are installed underneath the LCD module, still sufficient clearance is required, such as 0.5mm. This clearance is, especially, to be reconsidered when the additional parts are implemented for EMI countermeasure.
  - (d) Design the inverter location and connector position carefully so as not to give stress to lamp cable, or not to interface the LCD module by the lamp cable.
  - (e) Keep sufficient clearance between LCD module and the others parts, such as inverter and speaker so as not to interface the LCD module. Approximately 1.0mm of the clearance in the design is recommended.
  - (f) To avoid local elevation/decrease of temperature, considering location of heating element, heat release, thermal design should be done.
- c. Please do not push or scratch LCD panel surface with anything hard. And do not soil LCD panel surface by touching with bare hands. (Polarizer film, surface of LCD panel is easy to be flawed.)
- d. Please do not press any parts on the rear side such as source TCP, gate TCP, control circuit board and FPCs during handling LCD module. If pressing rear part is unavoidable, handle the LCD module with care not to damage them.
- e. Please wipe off LCD panel surface with absorbent cotton or soft cloth in case of it being soiled.
- f. Please wipe off drops of adhesives like saliva and water on LCD panel surface immediately. They might damage to cause panel surface variation and color change.
- g. Please do not take a LCD module to pieces and reconstruct it. Resolving and reconstructing modules may cause them not to work well.
- h. Please do not touch metal frames with bare hands and soiled gloves. A color change of the metal frames can happen during a long preservation of soiled LCD modules.
- i. Please pay attention to handling lead wire of backlight so that it is not tugged in connecting with inverter.

- j. Be sure to connect the cables and the connectors correctly.
- k. Please connect the metal frame of LCD module to GND in order to minimize the effect of external noise and EMI.

## (2) OPERATING PRECAUTIONS

- a. Please be sure to turn off the power supply before connecting and disconnecting signal input cable.
- b. Please do not change variable resistance settings in LCD module. They are adjusted to the most suitable value. If they are changed, it might happen LCD does not satisfy the characteristics specification.
- c. LCD backlight takes longer time to become stable of radiation characteristics in low temperature than in room temperature.
- d. The interface signal speed is very high. Please pay attention to transmission line design and other high speed signal precautions to satisfy signal specification.
- e. A condensation might happen on the surface and inside of LCD module in case of sudden change of ambient temperature.
- f. Please pay attention not to display the same pattern for very long time. Image might stick on LCD. Even if image sticking happens, it may disappear as the operation time proceeds.
- g. Please obey the same safe instructions as ones being prepared for ordinary electronic products.

## (3) PRECAUTIONS WITH ELECTROSTATICS

- a. This LCD module use CMOS-IC on circuit board and TFT-LCD panel, and so it is easy to be affected by electrostatics. Please be careful with electrostatics by the way of your body connecting to the ground and so on.
- b. Please remove protection film very slowly from the surface of LCD module to prevent from electrostatics occurrence.

## (4) STORAGE PRECAUTIONS

- a. Please do not leave the LCDs in the environment of high humidity and high temperature such as 60°C90%RH.
- b. Please do not leave the LCDs in the environment of low temperature; below -20°C.

## (5) SAFETY PRECAUTIONS

- a. When you waste damaged or unnecessary LCDs, it is recommended to crush LCDs into pieces and wash them off with solvents such as acetone and ethanol, which should later be burned.
- b. If any liquid leaks out of a damaged glass cell and comes in contact with the hands, wash off thoroughly with soap and water.

- c. Be sure to turn off the power supply when inserting or disconnecting the cable.
- d. Inverter should be designed carefully so as not to keep working in case of detecting over current or open circuit on the lamp.

#### (6) OTHERS

- a. A strong incident light into LCD panel might cause display characteristics changing inferior because of polarizer film, color filter, and other materials becoming inferior. Please do not expose LCD module direct sunlight and strong UV rays.
- b. Please pay attention to a panel side of LCD module not to contact with other materials in preserving it alone.
- c. For the packaging box, please pay attention to the followings;
  - (a) Packaging box and inner case for LCD are designed to protect the LCDs from the damage or scratching during transportation. Please do not open except picking LCDs up from the box.
  - (b) Please do not pile them up more than 6 boxes. (They are not designed so.) And please do not turn over.
  - (c) Please handle packaging box with care not to give them sudden shock and vibrations. And also please do not throw them up.
  - (d) Packaging box and inner case for LCDs are made of cardboard. So please pay attention not to get them wet. (Such like keeping them in high humidity or wet place can occur getting them wet.)